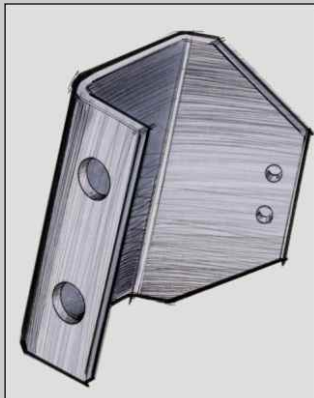
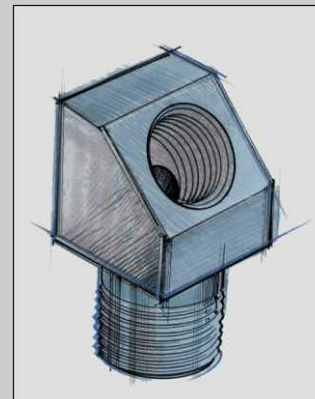
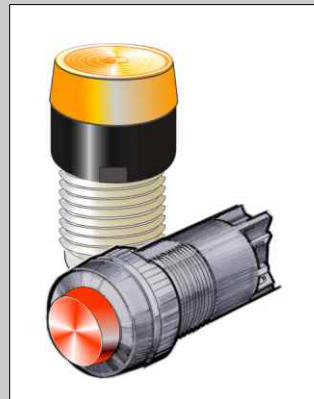
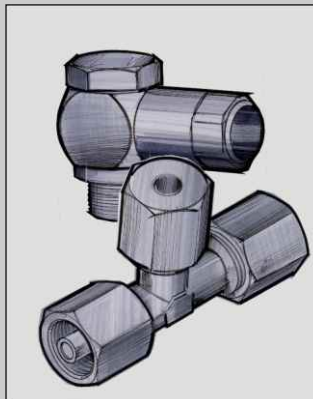
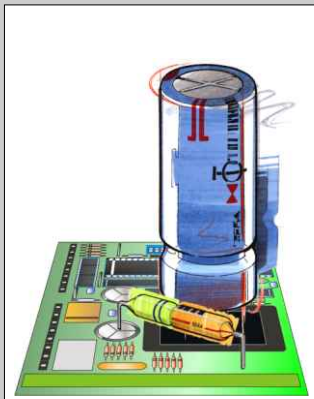
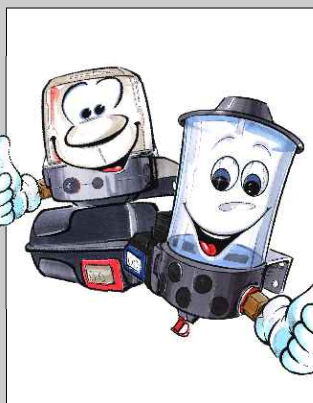
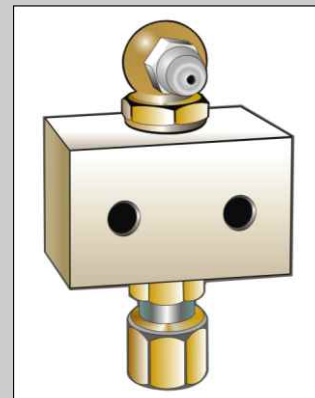


PARTS CATALOGUE



Technology
you can
rely on



Progressive central lubrication systems

Table of Contents

	Page
Accessory	99
Adjustable L fitting	70
Adjustable T fitting	71
Bayonet plug	22
Bent protection spiral	90
Bulkhead fitting with internal thread	67
Bulkhead fitting with union nut and cutting ring	68
Coiled tubing	89
Connection line with plug	17 and 20
Cutting rings	72
Elbow screw fitting with union nut and cutting ring	57
Elbow swivelling screw fitting with plug-type connection	77
Elbow swivelling screw fitting with union nut and cutting ring	61
Elbow plug connection	75
Elbow plug connection detachable	79
Extensions	62 to 64
Mounting brackets / plates for EP-1 pumps	38 to 40
Mounting brackets / plates for MX-F distributor	43 to 45
Mounting brackets / plates for Pico pumps	41 and 42
Ferrule and nipple	87
Filling connection	27 to 29
Filling pumps and grease presses	23 to 26
High pressure hose	88
Hinges with plug-type connection	76
Hirschmann plug	21
Hose tie	93
Illuminated button for intermediate lubrication	51 and 52
Joint angles with union nut and cutting ring	69
Joint swivelling plug-type connection detachable	80
Male stud coupling with union nut and cutting ring	58 and 59
Nipple block	97 and 98
Nipple reconstruction kit, nipple blocks	94 to 97
Order-key of central lubrication pump Pico without/with integrated control units	13 to 15
Order-key of electric pump EP-1 without/with integrated control units	4 to 12
Order-key of external control unit S-EP 6	16
Olives	73
Pipe clips	92 to 94

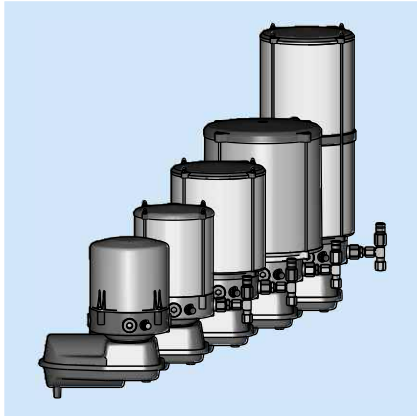


Table of Contents

Pipe socket bend by 45° for assembly of a high pressure hose Ø8,6x4	83
Pipe socket bend by 45° for assembly of a high pressure hose Ø11,2x6,5	85
Pipe socket bend by 90° for assembly of a high pressure hose Ø8,6x4	84
Pipe socket bend by 90° for assembly of a high pressure hose Ø11,2x6,5	86
Pipe socket straight for assembly of a high pressure hose Ø8,6x4	82
Pipe socket straight for assembly of a high pressure hose Ø11,2x6,5	85
Pressure relief valve w. micro switch for pump elements PE-120, PE-120 V, PE-120 F and PE-120 FV	37
Pressure relief valve with lubrication nipple for pump elements PE-60 to PE 170 and PE-120 F	36
Pressure relief valve without micro switch for pump elements PE-120, PE-120 V, PE-120F and PE-120 FV	35
Protecting parts for lines	50
Protecting parts for lube points	48 and 49
Reduction with union nut and cutting ring	70
Signal lamps	53
Sleeves	81
Straight connection piece	67
Small relay	54
Steel pipes	89
Straight rotary connection	69
Straight plug-type connection	74
Straight plug-type connection detachable	78
Straight fitting (pipe connection)	60
Switch	52
T-fitting	71
Union nuts	72
Union nuts	72
Union screws	73
Welding plates for MX-F distributor	46 and 47
Welding plates for SX-1 distributor	47



Electric Pump EP-1



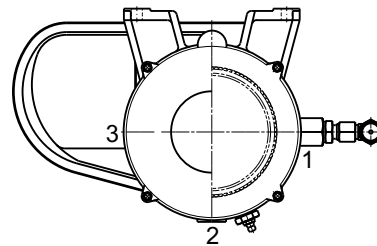
Order Key:

Construction type					2152 . XX . XX . XX . 000				
Motor voltage									
	without plug		with bayonet connector						
Voltage	12 V	24 V	12 V	24 V					
Code	01	02	03		04				

Pump elements	Outlet No		
	1	2	3
without	0	0	0
PE-60	1	1	1
PE-120	2	2	2
PE-120 V	3	3	3
PE-170	4	4	4

Fig.	Code	Fig.	Code	Fig.	Code	Fig.	Code	Fig.	Code
000	A0	100	F0	200	01	300	41	400	V0
001	A1	101	F1	201	K1	301	Q1	401	V1
002	A3	102	F2	202	K2	302	Q2	402	V2
003	A4	103	F3	203	K3	303	Q3	403	V3
004	A5	104	F4	204	K4	304	Q4	404	V4
010	B0	110	N0	210	L0	310	R0	410	W0
011	B1	111	G1	211	L1	311	R1	411	W1
012	B2	112	G2	212	L2	312	R2	412	W2
013	B3	113	G3	213	L3	313	R3	413	W3
014	B4	114	G4	214	L4	314	R4	414	W4
020	C0	120	H0	220	02	320	S0	420	X0
021	C1	121	H1	221	M1	321	S1	421	X1
022	C2	122	H2	222	03	322	S2	422	X2
023	C3	123	H3	223	M3	323	S3	423	X3
024	C4	124	H4	224	M4	324	S4	424	X4
030	D0	130	H5	230	52	330	42	430	Y0
031	D1	131	H6	231	N1	331	T1	431	Y1
032	D2	132	H7	232	N2	332	T2	432	Y2
033	D3	133	H8	233	53	333	43	433	Y3
034	D4	134	H9	234	N4	334	T4	434	Y4
040	E0	140	J0	240	P0	340	U0	440	Z0
041	E1	141	J1	241	P1	341	U1	441	Z1
042	E2	142	J2	242	P2	342	U2	442	Z2
043	E3	143	J3	243	P3	343	U3	443	Z3
044	E4	144	J4	244	P4	344	U4	444	Z4

Ordering example pump elements:



1 PE-120 installed in outlet position 1:
Fig. = 200 -> Code = 01

Special variants = 99

	2 parts		1 part	
Reservoir size (kg)	1.9	2.5	4	8
Transparent reservoir	27	25	30	28
Code	31		26	
Reservoir size (kg)	2		4	
Steel reservoir	31		26	
Code	31		26	

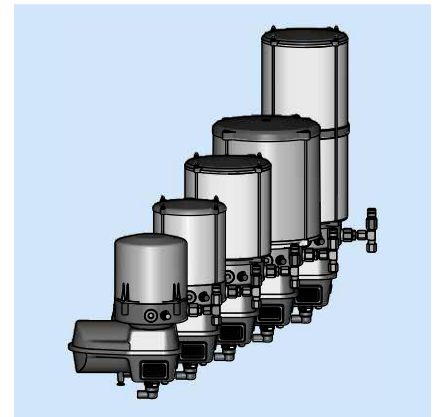
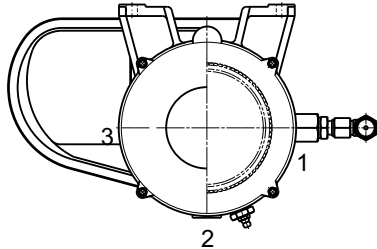
Special variants: 227 = Grease level control at drawing no FAZ02205-10
028 = Pump elements with microswitch
257 = Pump elements with malfunction indicator and grease repatriation

Special variants 000



EP-1 with integrated Control Unit BEKA-troniX1

Positions of outlets:



Order Key with integrated Control Unit BEKA-troniX1:

Construction type 2175.3.1.E.0.1.2.1.000

Motor voltage	
with bayonet connector	
12V	24V
3	4

Outlet	Pump element	without	PE-60	PE-120	PE-120 V	PE-170
Pos. 1	without micro switch	0	7	1	2	G
	with micro switch	0	A	D	N	H
Pos. 2	without micro switch	0	8	3	4	J
	with micro switch	0	B	E	P	K
Pos. 3	without micro switch	0	9	5	6	L
	with micro switch	0	C	F	A	M
Special variants		ZZZ				

Only one micro switch can be connected to the BEKA-troniX1 controller!

	2 Parts		1 Part		
Size of reservoir (kg)	1.9	4	8	2.5	8
Code	1	2	3	4	8
with grease level control	S T		U W		

Additional equipment connected at controller	
without additional equipment	0
Grease level monitoring	1
System excess pressure monitoring	2
Grease level controller and system excess pressure monitoring	3
without connection to the controller (only connectors, not connected, not activated)	4

Parameter	Cycle duration		
	0.5 to 8 h	2 to 32 min.	2 to 32 h
I 1 to 16 min.	1	A	J
II 2 to 32 min.	2	B	K
III 2 to 32 sec.	3	C	L
Pump revolutions			
I 1 to 16	7	G	O
II 10 to 160	8	H	Q
III 170 to 320	9	I	R

Special models

EP-1 with integrated Control Unit BEKA-troniX1

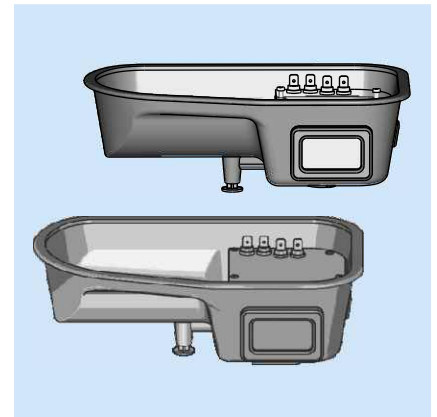


Order Key for integrated Control Unit BEKA-troniX1

for EP-1 and OC-1:

Construction type				2175 . 90 . 10 . 0 . A . 000
Connector version				
with bayonet connector	10			
additional equipment				
without additional equipment	0			
with grease level monitoring	1			
with system excess pressure monitoring	2			
with grease level monitoring and system excess pressure monitoring	3			
with contact plugs (not activated)	4			
Parameter	Cycle duration			
Lubrication time	0.5 to 8 h	2 to 32 min.	2 to 32 h	
I	1 to 16 min.	1	A	J
II	2 to 32 min.	2	B	K
III	2 to 32 sec.	3	C	L
Pump revolutions				
I	1 to 16	7	G	P
II	10 to 160	8	H	Q
III	170 to 320	9	I	R
Special models	000			

Integrated control unit S-EP 4



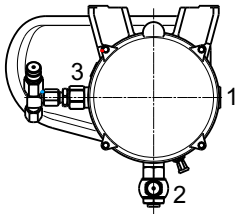
Order key for integrated control unit S-EP 4
for EP-1 and OC-1

Type-no.				2147 . 90 . 10 . 2 . 1 . 00
Plug-type version				
for Hirschmann plug	00			
for bayonett plug	10			
Lubrication time				
Time rangell	1 min. to 16 min.	1		
Time rangell	2 min. to 32 min.	2		
Intermediate lube button				
	yes	no		
Code	1	0		
Special version				
	00			



Electric Pump EP-1 with Integrated Control Unit EP-tronic

Ordering Example Pump Elements:



Order example:
 Outlet position: 1 2 3
 Fig.: 0 2 1
 Code: 9



Order Key EP-1 with Integrated Control Unit EP-tronic

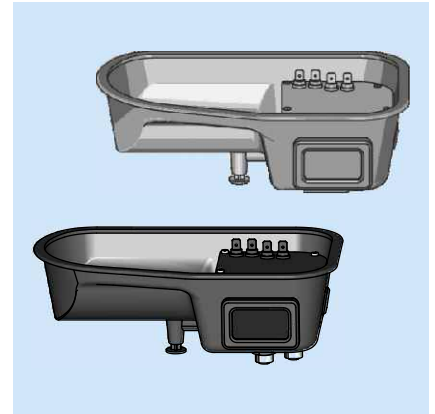
with Bayonet connector

Construction type		2157 . 3 . 1 . 2 . 0 . A . 0 . 0000											
Motor voltage		Other combinations of pump elements on demand!											
with bayonet connector													
12V	24V	Special variants										Z	
3	4	001	G	002	K	003	N	004	R				
		011	J	020	L	030	P	040	S				
		100	1	022	M	033	Q	044	T				
		110	2	200	4	300	V	400	D				
		111	3	220	5	330	B	440	E				
		120	7	222	6	333	C	444	F				
		102	W	021	9	122	8	123	U				
		Fig.	Code	Fig.	Code	Fig.	Code	Fig.	Code				
Outlet position		Fig.		2 Parts		1 Part							
		1	1 2 3 4 0	4	8	2.5	8						
		2	1 2 3 4 0	1	2 3 4 8								
		3	1 2 3 4 0	5	6 7 9								
		PE-120	PE-120 V										
		PE-60	PE-170										
		without											
Size of reservoir (kg)													
Code													
With grease level controller													
Additional equipment													
Without		0											
Attached to controller													
System pressure P _{max.}		1											
Grease level monitoring		2											
System excess pressure monitoring and grease level controller		3											
Parameter		Cycle duration											
Lubricating time		0.5 to 8 h		2 to 32 min.		2 to 32 h							
I	1 to 16 min.	1	A	J									
II	2 to 32 min.	2	B	K									
III	2 to 32 sec.	3	C	L									
Strokes													
I	1 to 16 Strokes	4	D	M									
II	17 to 32 Strokes	5	E	N									
III	33 to 48 Strokes	6	F	O									
Pump revolutions													
I	1 to 16	7	G	P									
II	10 to 160	8	H	Q									
III	170 to 320	9	I	R									
With collective error notification (stat. error) (Standard)		1											
With starter enabling device		2											
Special models		0000											

All additional functions of time periods can be activated 8 or set later with the system analysis software on PC.



Integrated control unit EP-tronic
for EP-1 and OC-1



Order key for integrated control unit EP-tronic for bayonett plug

Type: _____ **2157 . 90 . 10 . 0 . A . 1 . 00**

Plug-type version	
w. bayonett plug	10

Additional equipment	
not connected at control unit	0
Connected at control unit	
System pressure P _{max.}	1
Level monitoring	2
System pressure monitoring and level monitoring	3

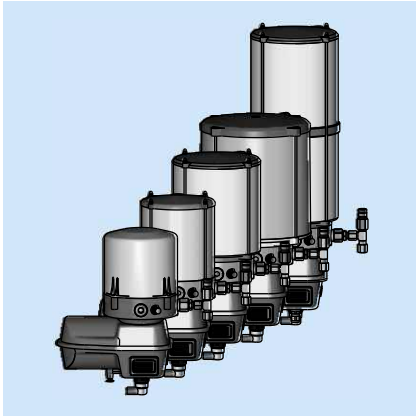
Parameter	Cycle time			
	0,5 to 8 h	2 to 32 min.	2 to 32 h	
I 1 to 16 min.	1	A	J	
II 2 to 32 min.	2	B	K	
III 2 to 32 sec.	3	C	L	
Cycles				
I 1 to 16 cycles	4	D	M	
II 17 to 32 cycles	5	E	N	
III 33 to 48 cycles	6	F	O	
Revolutions of the pump				
I 1 to 16	7	G	P	
II 10 to 160	8	H	Q	
III 170 to 320	9	I	R	

w. collective fault signal (stat. error) (standard)	1
w. start release signal	2

Special version	00
-----------------	----

All additional functions or time ranges can be activated or adjusted subsequently by means of the diagnosis software!

Electric pump EP-1 with integrated control unit EP-tronic T1



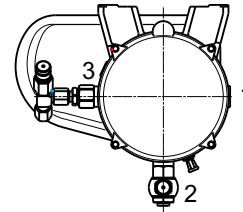
Order key for EP-1 with integrated control unit EP-tronic T1 with bayonet plug

Type: _____ 2183 . X . X . X . X . X . XXXX

Motor voltage	
w. bayonet plug	
12 V	24 V
3	4

	Code no.				
1	1	2	3	4	0
2	1	2	3	4	0
3	1	2	3	4	0
Outlet position	PE-120	PE-120 V	PE-60	PE-170	without

No.	Code	No.	Code	No.	Code	No.	Code
001	G	002	K	003	N	004	R
010	H	020	L	030	P	040	S
011	J	022	M	033	Q	044	T
100	1	200	4	300	V	400	D
110	2	220	5	330	B	440	E
111	3	222	6	333	C	444	F
120	7	021	9	122	8	123	U
Special versions							Z



Order examples
 Outlet position: 1 2 3
 Code number: 0 2 1
 No.: 9

Other pump element combinations on demand!

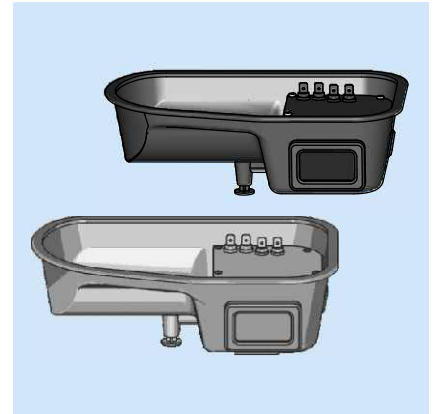
				2-parts	1-part
Reservoir size	1,9 kg	2,5 kg	4 kg	8 kg	8 kg
Code number	1	4	2	3	8

Integrated electronic control unit EP-tronic T1				
		Cycle time range		
Lube time range		0,5 h to 8 h	2 min. to 32 min.	2h to 32h
I	1 min. to 16 min.	1	A	J
II	2 min. to 32 min.	2	B	K
III	2 sec. to 32 sec.	3	C	L

Intermediate lube button	without	with
Code number	0	1

Special version	without
Code number	0000

Integrated control unit EP-tronic T1
for EP-1 and OC-1



Order key for integrated control unit EP-tronic T1

Type: _____ 2183 . 90 . 10 . X . X . XXXX

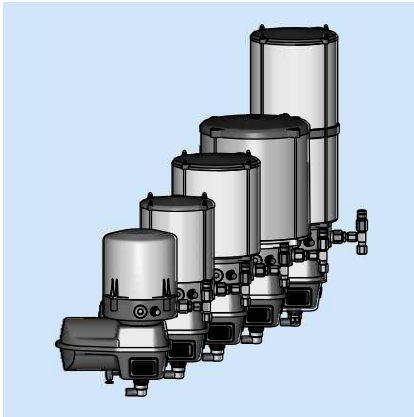
Plug version	
for Hirschmann plug	00
for Bayonet plug	10

Integrated electronic control unit EP-tronic T1				
Lube time range		Cycle time range		
		0,5 h to 8 h	2 min. to 32 min.	2h to 32h
I	1 min. to 16 min.	1	A	J
II	2 min. to 32 min.	2	B	K
III	2 sec. to 32 sec.	3	C	L

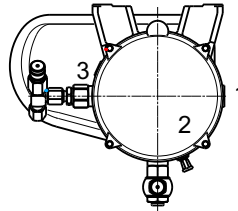
Intermediate lube button	without	with
Code number	0	1

Special version	without
Code number	0000

EP-1 with integrated control unit EP-T2 and Integrated Control Unit EP-T2



Positions of outlets:



Order Key for EP-1 with integrated control unit EP-T2

Construction type							2184 . X . X . X . X . X . X . XXX	
Motor voltage								
with bayonet connector								
12 V	24 V							
3	4							
		Code						
1	1	2	3	4	0	Z		
2	1	2	3	4	0	Z		
3	1	2	3	4	0	Z		
Outlet-no.	PE-120	PE-120 V	PE-60	PE-170	without	Special variants		
							2 parts	
							1 part	
Size of reservoir	1,9 kg	2,5 kg	4 kg	8 kg	8 kg			
Code	1	4	2	3	8			
Integrated electronic control unit EP-T2								
Lubricating time range		Code						
1 sec. to 60 sec.		1						
Special types	without							
Code	000							

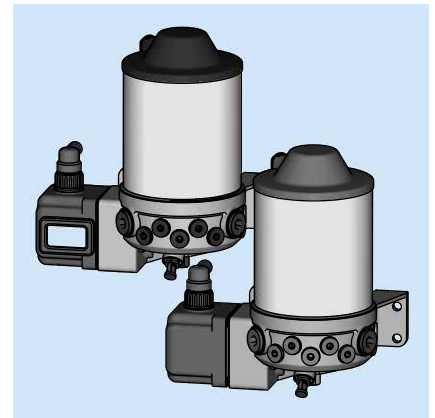
Order Key for integrated control unit EP-T2

Construction type							2184 . 90 . 10 . X . XXXXX	
Connector version								
with bayonet connector	10							
Integrated electronic controller EP-T2								
Lubricating time range		Code						
1 sec. to 60 sec.		1						
Special types	without							
Code	00000							

Subject to alterations! © BEKA 2010 All rights reserved!



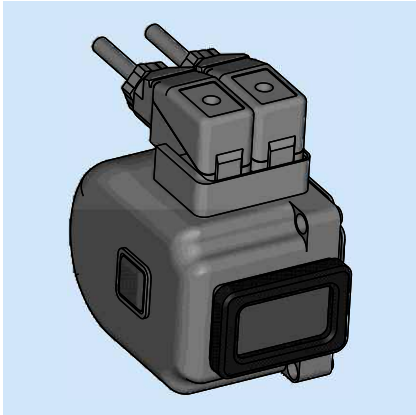
Central Lubrication Pump Pico



**Order Key for Electric Pump PICO
without Controller,
with integrated Control Unit PICO S-EP 4, PICO-tronic T1 or PICO-T2
with Bayonet Connector**

Order-No.	2185 . X . X . X . X . X . XXXX			
with Bayonet Connector				
Motor voltage	12 V	24 V		
Number	3	4		
Pump elements	Outlet-No.			
	4	10	4+10	without
PE-120F	1	2	3	Note: Pump elements PE-5 up to PE-50 must be ordered separately!
PE-120FV	4	5	6	
PE-120F +	X		7	
PE-120FV		X	8	
PE-120F +		X		
PE-120FV	X			
Container size	1.2 kg			
Number	1			
Sort of control unit	without	Trucks PICO S-EP 4	Trailers and semi-trailers PICO-tronic T1	Trailers and semi-trailers PICO-T2
Number	1	2	3	5
without	0			
PICO S-EP 4 for Trucks				
Lubrication time range		Cycle time range		
		0.5 h up to 8 h		
I	1 min. up to 16 min.	Z		
II	2 min. up to 32 min.	T		
PICO-tronic T1 for trailers and semi-trailers				
Lubrication time range		Cycle time range		
		0.5 h up to 8 h	2 min. up to 32 min.	2 h up to 32 h
I	1 min. up to 16 min.	1	A	J
II	2 min. up to 32 min.	2	B	K
III	2 sec. up to 32 sec.	3	C	L
PICO-T2 for trailers and semi-trailers				
Lubrication time range				
1 sec. up to 1 min.		1		
Special variants	without			
Number	0000			

Integrated control unit for central lubrication pump PICO



Order key for integrated control unit PICO-tronic

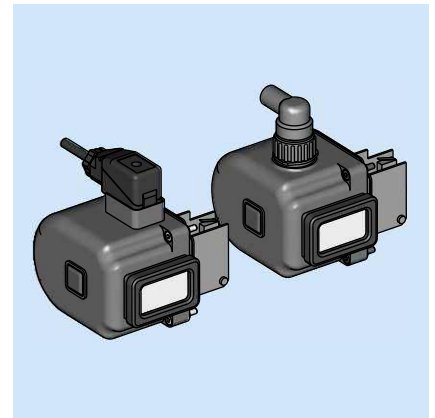
Type _____ **2185 . 900 . 4 . X . XXXX**

Type of control	PICO-tronic
Code no.	4

for PICO-tronic				
Lubrication time range		Cycle time range		
		0,5 h to 8 h	2 min. to 32 min.	2 h to 32 h
I	1 min. to 16 min.	1	A	L
II	2 min. to 32 min.	2	B	K
III	2 sec. to 32 sec.	3	C	L
Cycle range				
I	1 Takt to 16 cycles	4	D	M
II	17 cycles to 32 cycles	5	E	N
III	33 cycles to 48 cycles	6	F	O
No. of revolutions				
I	1 rpm to 16 rpm	7	G	P
II	10 rpm to 160 rpm	8	H	Q
III	170 rpm to 320 rpm	9	I	R

Special version	w/o
Code no.	0000

Integrated control unit for central lubrication pump PICO



Order key for integrated control unit PICO S-EP 4

Version	Lube time	Break time	Order-no.
for bayonet plug 7-poles	2 min. - 32 min.	0,5 h - 8 h	2185.9012.T
	1 min. - 16 min.		2185.9012.Z
for bayonet plug 4-poles	2 min. - 32 min.	0,5 h - 8 h	2185.9002.T.0002
	1 min. - 16 min.		2185.9002.Z.0002
for Hirschmann plug	2 min. - 32 min.	0,5 h - 8 h	2185.9002.T
	1 min. - 16 min.		2185.9002.Z

Order key for integrated control unit PICO-tronic T1 and PICO-T2

Type-no.: _____ **2185 . 90 . 1 . 3 . A . 0000**

Plug-type version	
for Hirschmann plug	0
for bayonet plug	1

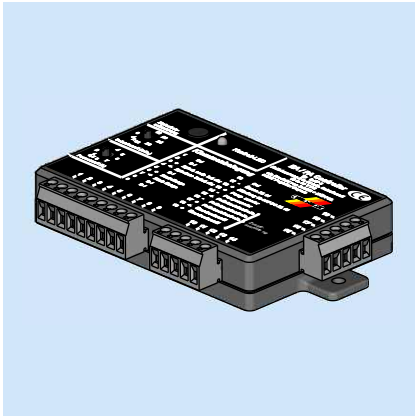
Control	PICO-tronic T1	PICO-T2
Code no.	3	5

for trailer and semi-trailer PICO-tronic T1			
Lube time range	Cycle time range		
	0,5 h to 8 h	2 min. to 32 min.	2h to 32h
I 1 min. to 16 min.	1	A	J
II 2 min. to 32 min.	2	B	K
III 2 sec. to 32 sec.	3	C	L

or trailer and semi-trailer PICO-T2	
lube time range	Kennzahl
1 sec. to 60 sec.	1

Special version	0000
-----------------	------

External Control Unit S-EP 6



Order Key for external Control Unit S-EP 6

Order-No.: _____ 2166 . 9000 . X . X . 00

Mode of Operation		
Control by Time	Range of Lubrication Time	
	1 min. up to 16 min.	1
	2 min. up to 32 min.	2
Control by Strokes		3
Control by revolutions		4

Connector for Special Functions	
Yes	1
No	2

Special Models | 00



Connection plug with 7-poles

for control units with Hirschmann plug

Dimensions

Fig. 1:

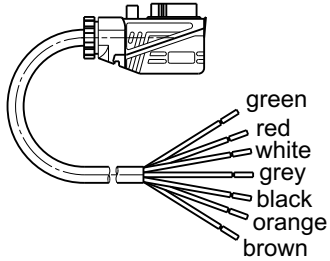


Fig. 2:

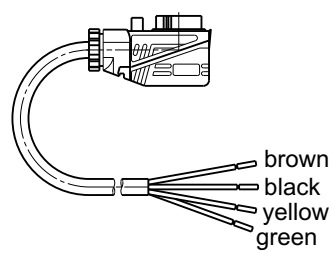
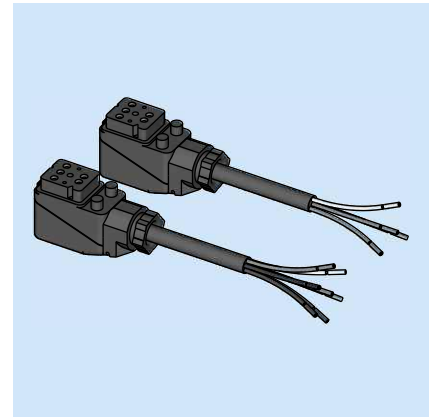
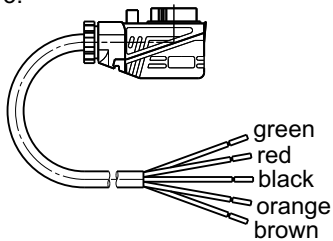


Fig. 3:



Article-no.	Use	Line box	Power cord	Length	Fig.
FAZ02977-01	EP-tronic PICO-tronic EP-tronic T1 PICO-tronic T1	GO 070 WF	7-wires	10 m	1
FAZ02977-00	PICO S-EP 4	GO 070 WF	5-wires	10 m	3
FAZ02499-02	S-EP 4	GO 070 WF	4-wires	10 m	2



Connection lines with plug for control units with bayonet plug

Dimensions

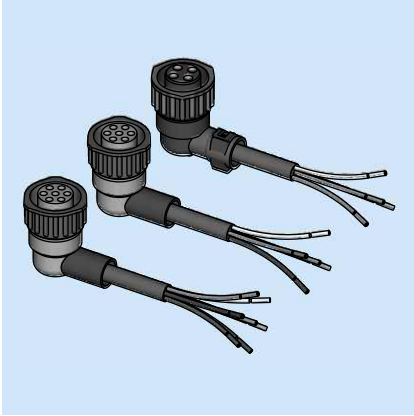


Fig. 1:

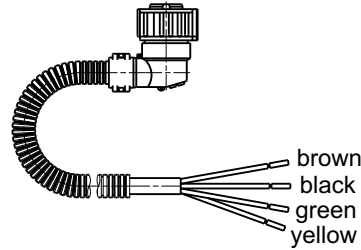


Fig. 2:

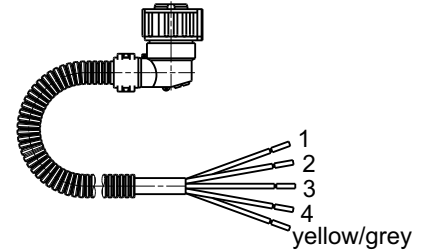


Fig. 3:

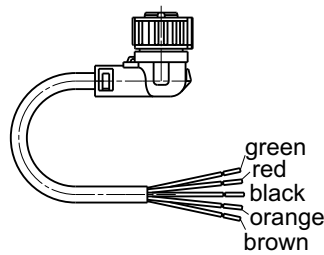


Fig. 4:

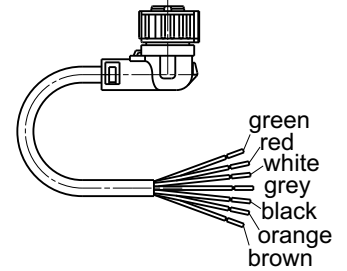


Fig. 5:

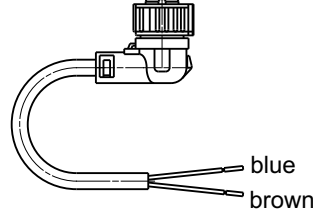
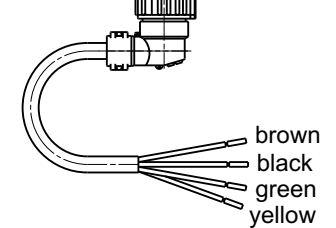


Fig. 6:



Article-no.	Use	Plug-type	Corrugated hose	Power cord	Length	Wires	Fig.
FAZ02499-15	S-EP 4 PICO S-EP 4	4-poles	yes	4-wires	10 m	colored	1
FAZ02499-17	S-EP 4 PICO S-EP 4	4-poles	yes	5-wires	15 m	black	2
FAZ02499-30	without control and revolution signal	4-poles	no	4-wires	5 m	colored	6
FAZ02499-39	without control and revolution signal	4-poles	no	4-wires	10 m	colored	6
FAZ02499-19	BEKA-troniX1	7-poles	no	5-wires	10 m	colored	3
FAZ02499-21	EP-tronic EP-tronic T1 PICO-tronic T1	7-poles	no	7-wires	10 m	colored	4
FAZ02499-24	EP-T2 PICO-T2	7-poles	no	2-wires	10 m	colored	5

Connection line with plug 4-poles

for the connection of external signal transmitters

Dimensions

Connection cable no. 1:

for the connection of a proximity switch M12x1 or of a level monitoring with connection M12x1 to an external control unit or to a control unit with Hirschmann plug

Fig. 1:

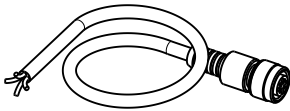
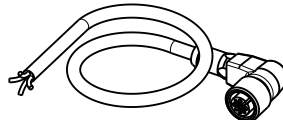


Fig. 2:



Connection cable no. 2:

for the connection of a proximity switch M12x1 or of a level monitoring with connection M12x1 to the control units BEKA-troniX1 or EP-tronic

Fig. 3:

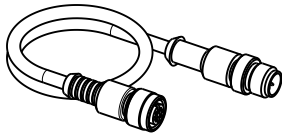
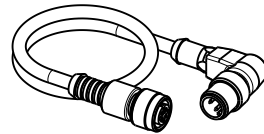


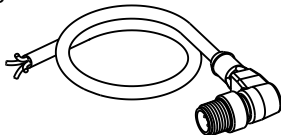
Fig. 4:



Connection cable no. 3:

for the connection M12x1 of the "start release signal" to the control unit EP-tronic version with bayonet plug

Fig. 5:



Article-no.	Bush	Plug	Cable length	Fig.
1000912458	M12x1 straight	without	2 m	1
1000911237	M12x1 straight	without	5 m	1
1000912457	M12x1 straight	without	10 m	1
1000912997	M12x1 angled	without	5 m	2
1000913278	without	M12x1 angled	5 m	5
1000912464	M12x1 straight	M12x1 straight	2 m	3
1000912465	M12x1 straight	M12x1 straight	5 m	3
1000912467	M12x1 straight	M12x1 angled	2 m	4
1000912468	M12x1 straight	M12x1 angled	5 m	4
1000912998	M12x1 straight	M12x1 angled	0,6 m	4



Adapter cable with plug 4-poles

for connecting proximity switch and control unit

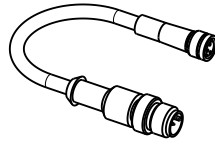


Dimensions

Adapter cable no. 1:

for connecting a proximity switch with thread M8x1 with a control unit (thread M12x1).

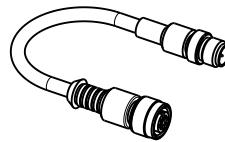
Fig. 1:



Adapter cable no. 2:

for connecting the proximity switch M12x1 with an already layed out cable M8x1

Fig. 2:



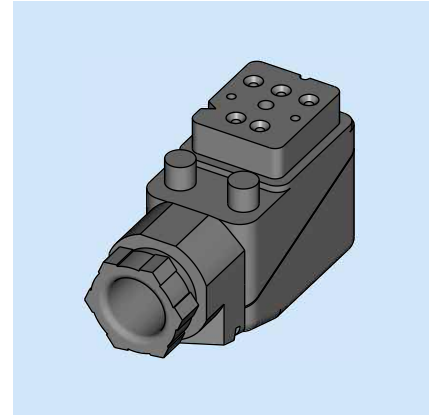
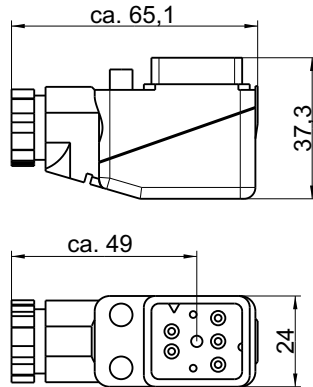
Article-no.	Bush	Plug	Length	Fig.
1000912495	M8x1	M12x1	0,3 m	1
1000911496	M12x1	M8x1	0,3 m	2



Hirschmann plug 7-poles

for standard connections to control units

Dimensions:

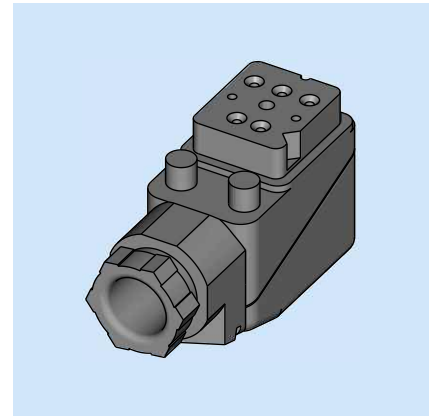
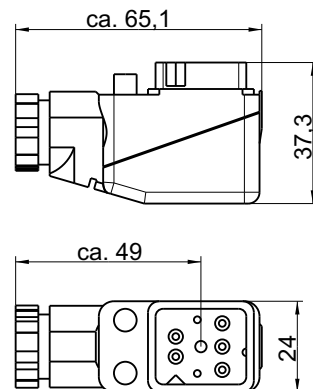


Article-no.	Use	Line box	for power cord
100091211	S-EP 4 PICO S-EP 4 EP-tronic PICO-tronic EP-tronic T1 PICO-tronic T1	GO 070 WF	7-wires 5-wires 4-wires

Hirschmann plug 7-poles

for connecting additional equipment to the control unit

Dimensions:

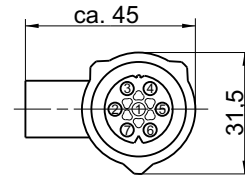
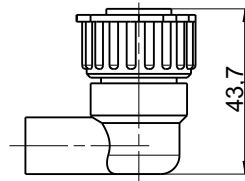
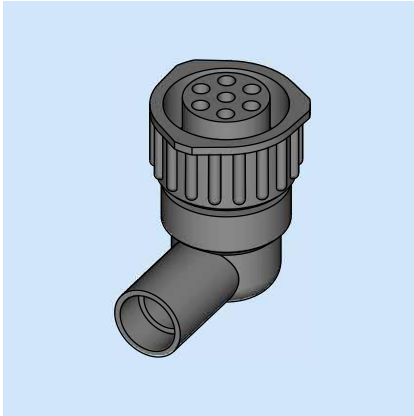


Article-no.	Use	Line box
100091212	S-EP 4	Cycle control Level monitoring Pressure relief valve with micro switch
	EP-tronic PICO-tronic	Cycle control Level monitoring Pressure relief valve with micro switch start release signal collective fault message
		GO 610 WF

Bayonet plug 7-poles complete

for the connection of control units

Dimensions:



Consisting of

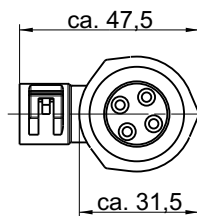
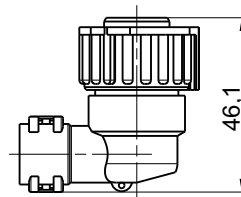
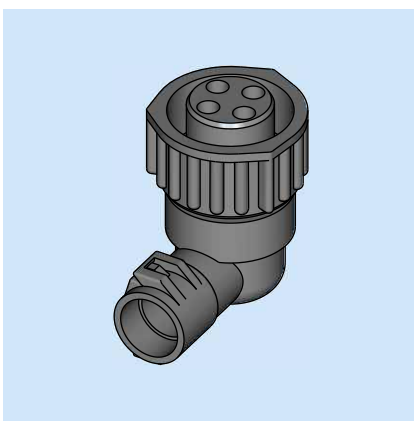
- 1 pcs bush housing 7-poles
- 1 pcs cap for corrugated hose
- 7 pcs bush contact
- 7 pcs single sealing
- 5 pcs dummy plugs
- 1 pcs strain relief for cable 7-wires
- 1 pcs strain relief for cable 5-wires
- 1 pcs strain relief for cable 2-wires

Article-no.	Use	for power cord
1000912932	EP-tronic	
	PICO-tronic	7-wires
	EP-tronic T1	5-wires
	PICO-tronic T1	2-wires
	EP-T2	
	PICO-T2	

Bayonet plug 7-poles complete

for the connection of control units

Dimensions:



Consisting of:

- 1 pcs bush housing 4-poles
- 1 pcs cap for corrugated hose
- 4 pcs bush contact
- 4 pcs single sealing

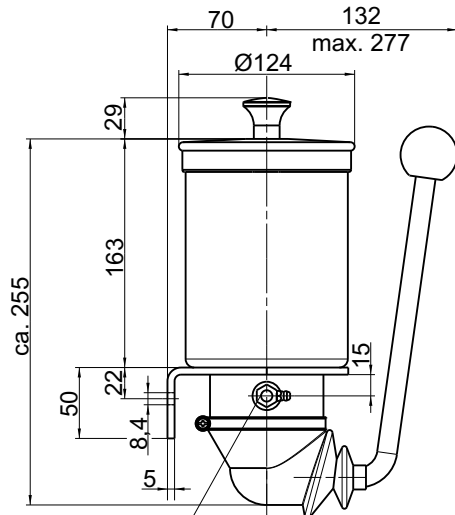
Article-no.	Use	for power cord
1000912664	S-EP 4	4-wires
	PICO S-EP 4	5-wires



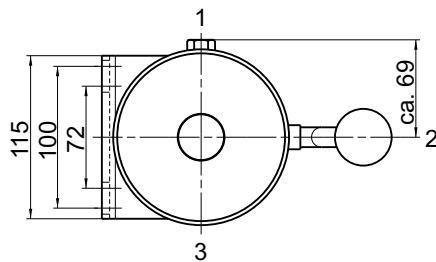
Manual grease pump type FHX-2

acc. to AZ-1838-00

Dimensions:



Filling nipple H3 DIN 71412



Technical data:

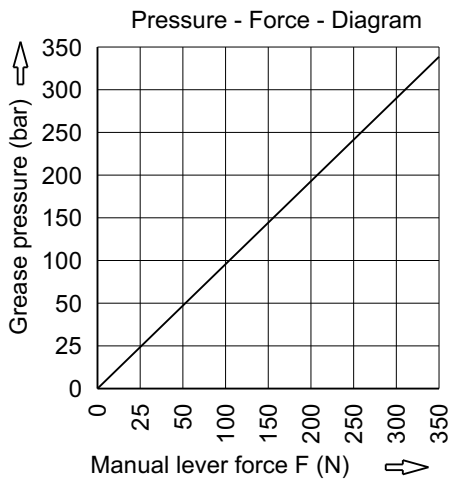
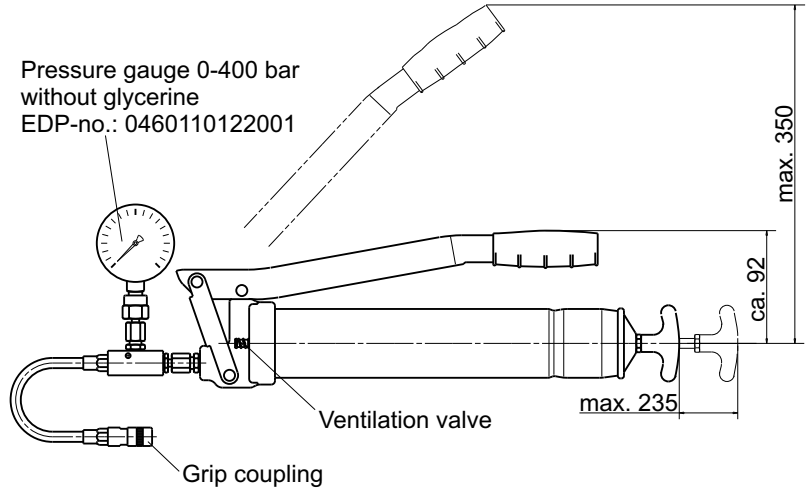
Pressure:	max. 300 bar
Output rate:	max. 1,5 cm ³ /stroke
Reservoir content:	1,2l
Pressure connection-Ø:	6 mm
Pressure outlet position:	1
Position of lever:	2
Position of filling nipple:	3
Lubricant:	greases up to NLGI cl. 2
Level monitoring:	visual by transparent reservoir

Article-no.	Filling nipple
2534.1570001	with



Manual lever grease press acc. to AZ02255-00
for the filling of electric pumps EP-1 and PICO and for lubrication
suitable for grease cartridges acc. to DIN 1284

Dimensions:



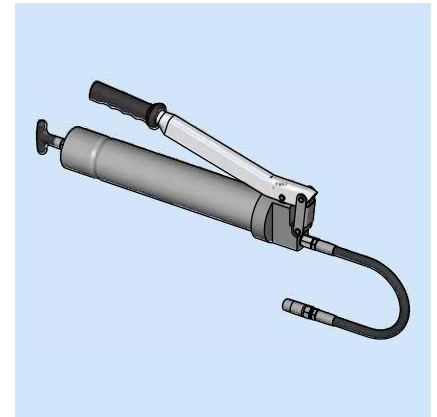
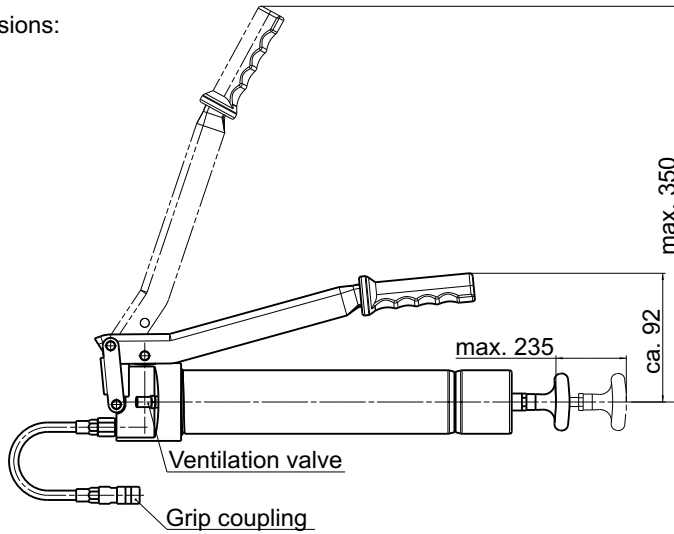
Technical data:

Pressure: max. 350 bar
Output rate: max. 2 cm³/stroke
Cartridge content: 400 g
Content w/o cartridge: 500 cm³
max. outer diameter of pipe: 53,5 mm
min. inside diameter of pipe: 51 mm
Lubricant: greases up to NLGI
cl. 2

Article-no.	Grease content
21590080000	max. 500 cm ³

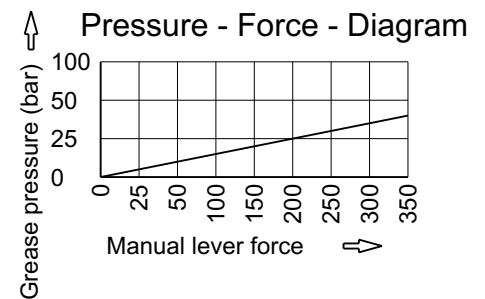
Manual lever grease press acc. to FAZ02255-06
for the filling of electric pumps EP-1 and PICO
suitable for grease cartridges acc. to DIN 1284

Dimensions:



Technical data:

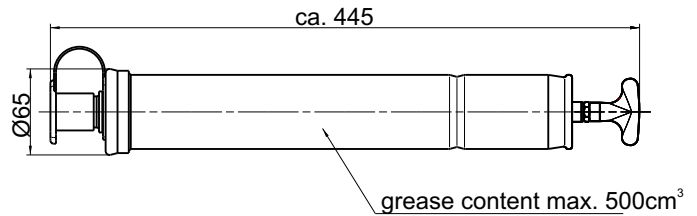
- Pressure: max. 40 bar
- Output rate: max. 8 cm³/stroke
- Cartridge content: 400 g
- Content w/o cartridge: 500 cm³
- max. outer diameter of pipe: 53,5 mm
- min. inside diameter of pipe: 51 mm
- Lubricant: greases up to NLGI cl. 2



Article-no.	Grease content
21590080008	max. 500 cm ³

Filling press for EP-1 and PICO
suitable for grease cartridges acc. to DIN 1284

Dimensions:



Technical data:

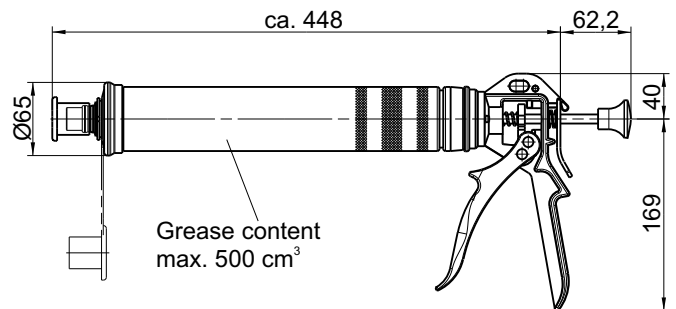
Cartridge content: 400 g
 Content w/o cartridge: 500 cm³
 max. outer diameter of pipe: 53,5 mm
 min. inside diameter of pipe: 51 mm
 Lubricant: greases up to NLGI-cl. 2

Article-no.	Grease content
208103026	max. 500 cm ³

One-handed filling press

suitable for grease cartridges acc. to DIN 1284

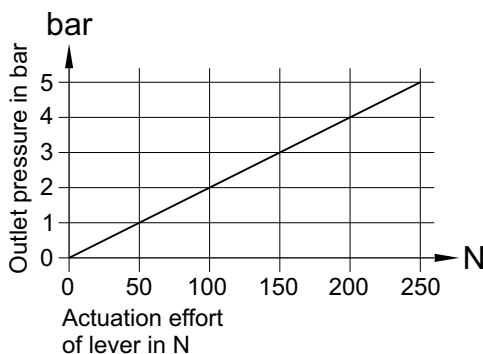
Dimensions:



Technical data:

Supply volume: ca. 9 cm³ to 10 cm³ per full stroke
 Cartridge content: 400 g
 Content w/o cartridge: 500 cm³
 max. outer diameter of pipe: 53,5 mm
 min. inside diameter of pipe: 51 mm
 Lubricant: greases up to NLGI-cl. 2

Article-no.	Grease content
20830001	max. 500 cm ³



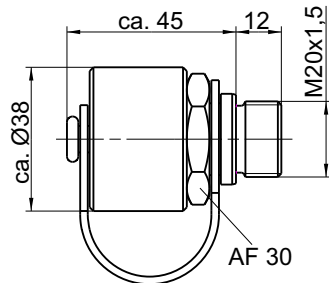
Subject to alterations! © BEKA 2010 All rights reserved!

Straight filling connection without non-return valve

acc. to AZ-02519-00

for the filling of the electric pump EP-1

Dimensions:



Article-no.	Material
21520150	steel

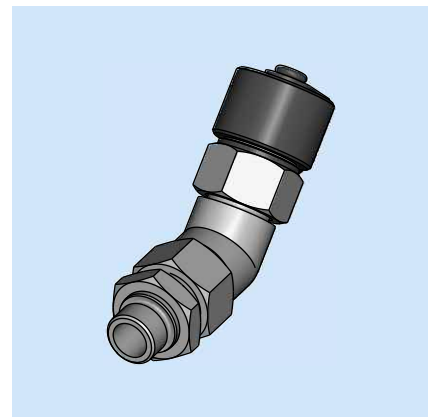
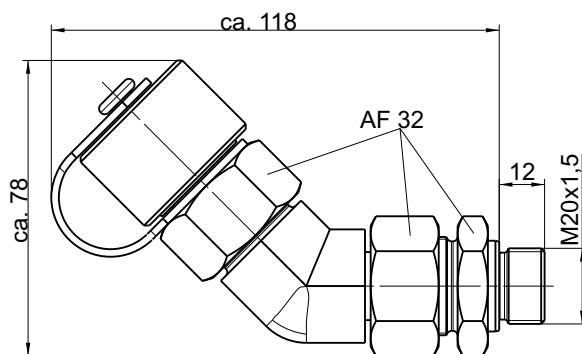
All parts made of steel are galvanized, yellow chromated.
Dust protection cap: red plastic

Filling connection 45° without non-return valve

acc. to FAZ02519-07

for the filling of the electric pump EP-1

Dimensions:



Article-no.	Material
21520146	steel

All parts made of steel are galvanized, yellow chromated.
Dust protection cap: red plastic

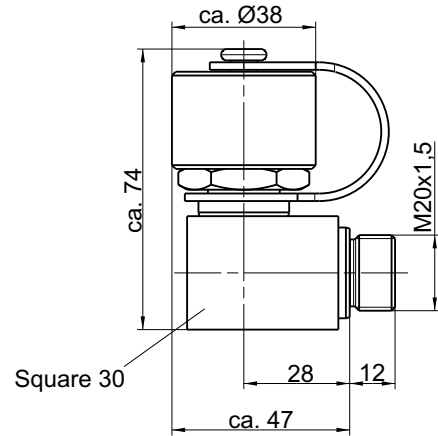
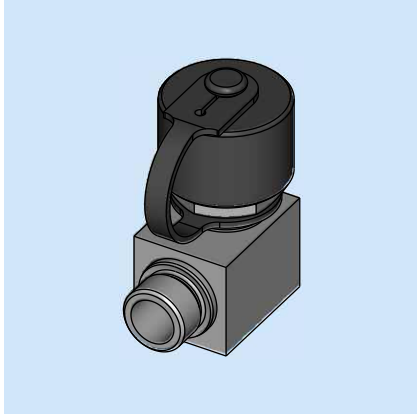


Filling connection 90° without non-return valve

acc. to FAZ02519-02

for the filling of the electric pump EP-1

Dimensions:



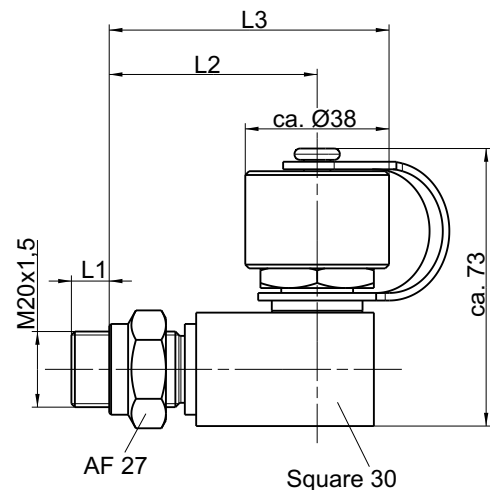
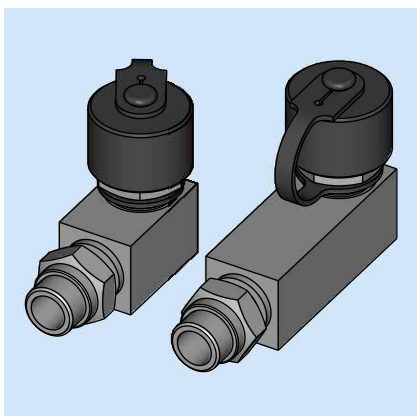
Article-no.	Material
21520153	steel

All parts made of steel are galvanized, yellow chromated.
Dust protection cap: red plastic

Filling connection 90°

without non-return valve, with counter nut
for the filling of the electric pump EP-1

Dimensions:



Article-no.	L1	ca. L2	ca. L3	Material
21520149	10-14	50-56	74	steel
21520147	10-14	85-91	109	steel

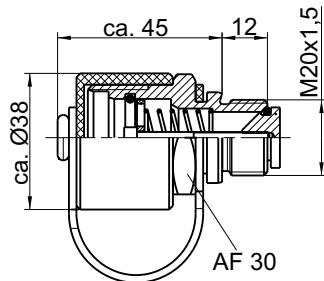
All parts made of steel are galvanized, yellow chromated.
Dust protection cap: red plastic

Straight filling connection with non-return valve

acc. to FAZ03177-00

for the filling of the central lubrication pump PICO

Dimensions:



Article-no.	Material
21520152	steel

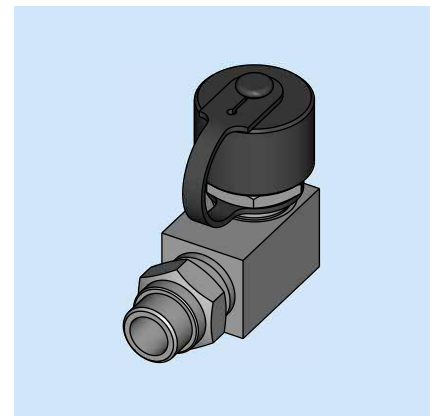
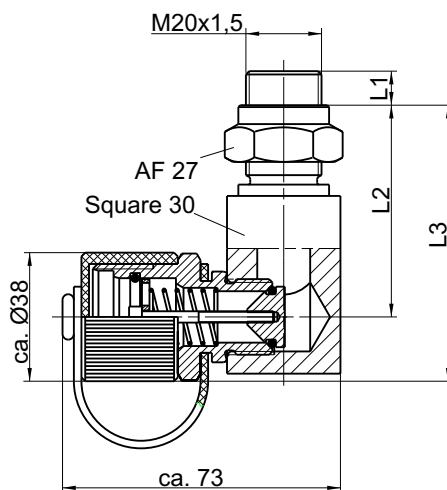
All parts made of steel are galvanized, yellow chromated.
Dust protection cap: red plastic

Filling connection 90° with non-return valve, with counter nut

acc. to FAZ03177-01

for the filling of the central lubrication pump PICO

Dimensions:



Article-no.	L1	ca. L2	ca. L3	Material
21520174	10-14	50-56	74	steel

All parts made of steel are galvanized, yellow chromated.
Dust protection cap: red plastic

Pump elements

not adjustable reg. output rate
for electric pump EP-1

Dimensions:

Fig. 1:
PE-170

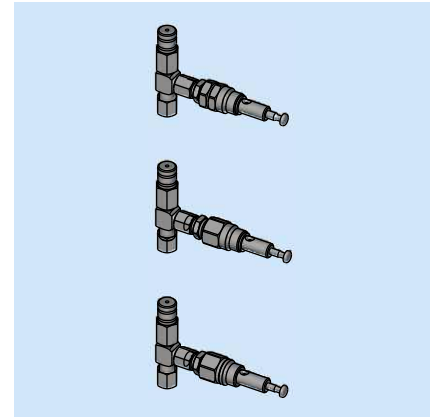
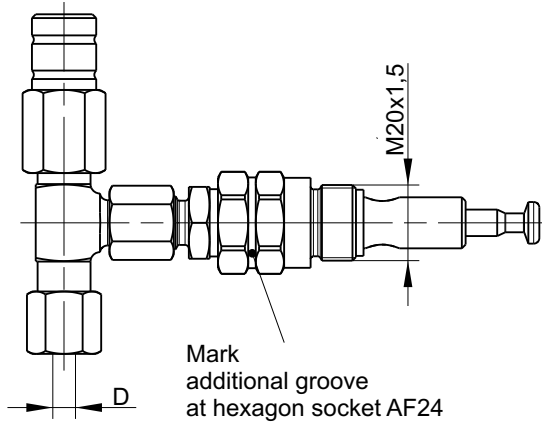


Fig. 2:
PE-120

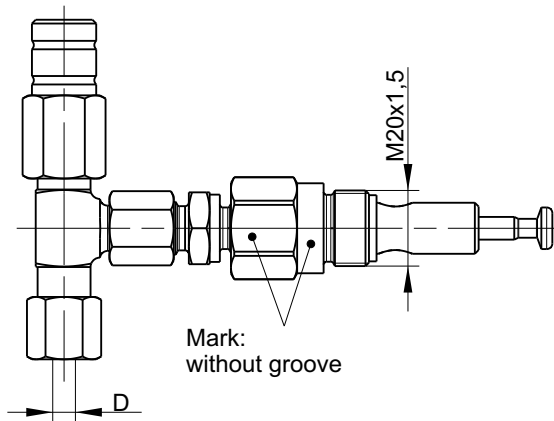
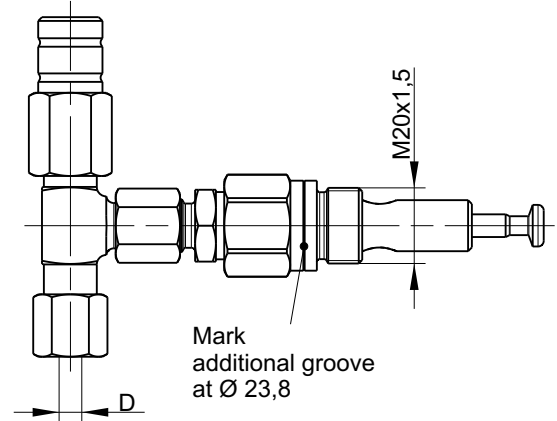


Fig. 3:
PE-60



Article-no.	D	Output rate	Fig.	Material
2152 990 69 0000	6	170 mm ³ /stroke	1	steel
2152 990 61 0000	6	120 mm ³ /stroke	2	steel
2152 990 67 0000	6	60 mm ³ /stroke	3	steel

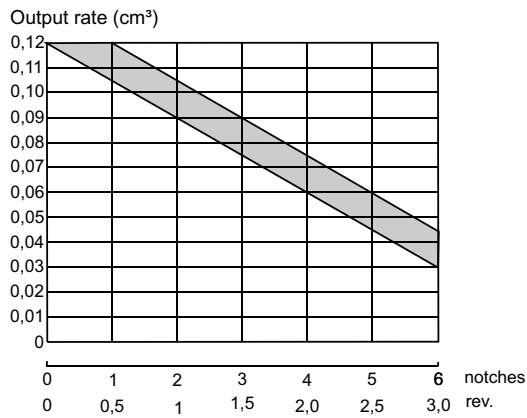
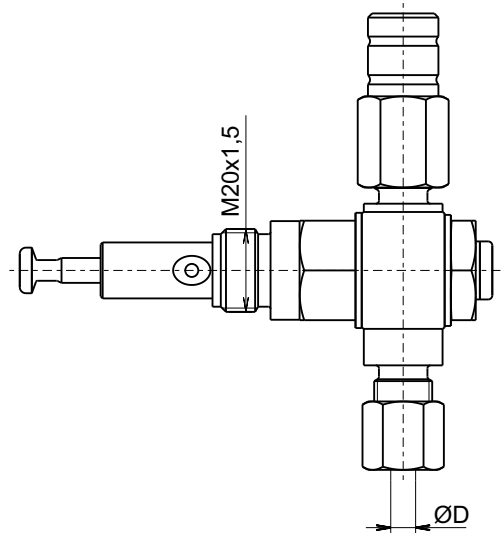
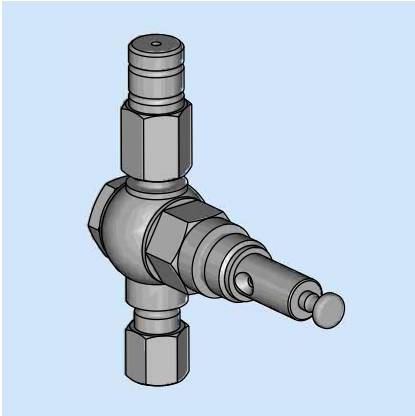
All parts made of steel are galvanized, yellow chromated.



Pump element PE-120V

output rate is adjustable
for the electric pump EP-1

Dimensions:



Article-no.	D	Material
2152 990 63 0000	6	steel
2152 990 63 0001	8	steel

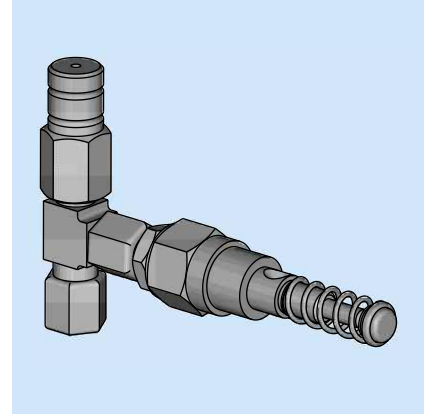
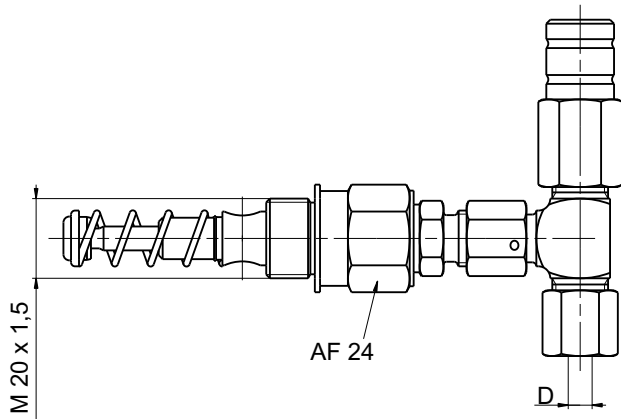
All parts made of steel are galvanized, yellow chromated.



Pump element PE-120F

for central lubrication pump PICO

Dimensions:



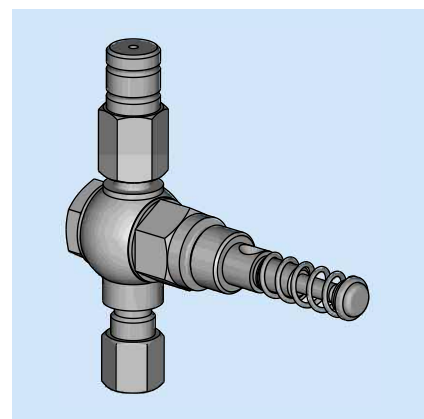
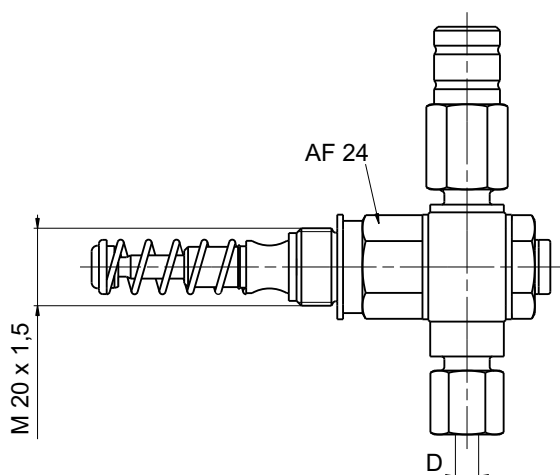
Article-no.	D	Material
2185 990 61 0000	6	steel

All parts made of steel are galvanized, yellow chromated.

Pump element PE-120 FV

for central lubrication pump PICO

Dimensions:



Article-no.	D	Material
2185 990 63 0000	6	steel

All parts made of steel are galvanized, yellow chromated.



Pump element with lubrication nipple

Dimensions:

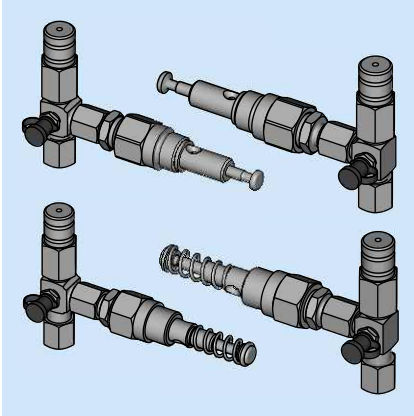


Fig. 1:

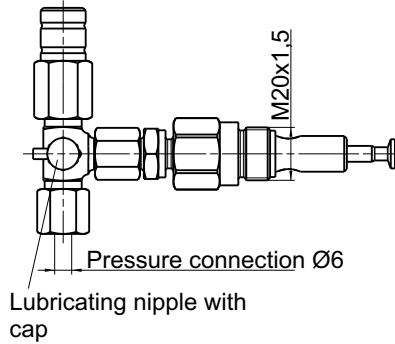


Fig. 2:

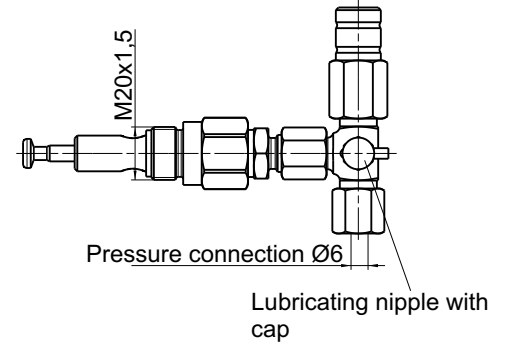


Fig. 3:

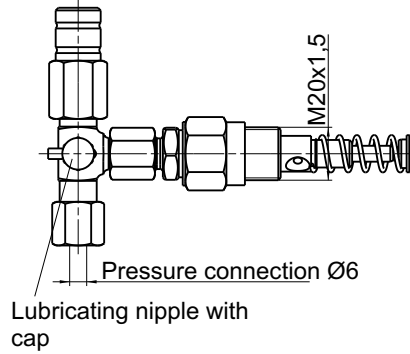
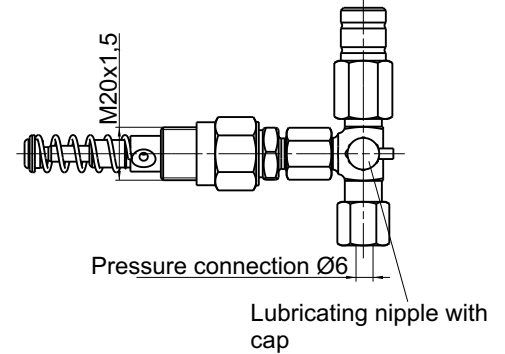


Fig. 4:



Article-no.	Designation	Output rate	Fig.	Material
2152 990 69 4000	PE-170	170 mm ³ /stroke	1	steel
2152 990 69 5000	PE-170	170 mm ³ /stroke	2	steel
2152 990 61 4000	PE-120	120 mm ³ /stroke	1	steel
2152 990 61 5000	PE-120	120 mm ³ /stroke	2	steel
2152 990 67 4000	PE-60	60 mm ³ /stroke	1	steel
2152 990 67 5000	PE-60	60 mm ³ /stroke	2	steel
2185 990 61 4000	PE-120F	120 mm ³ /stroke	3	steel
2185 990 61 5000	PE-120F	120 mm ³ /stroke	4	steel

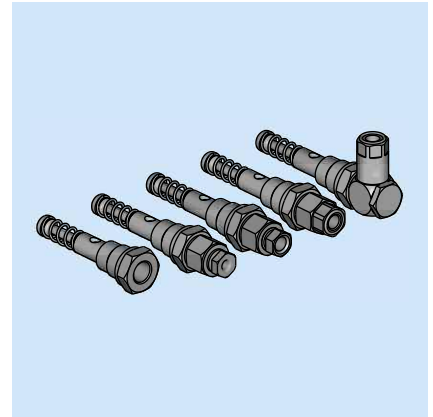
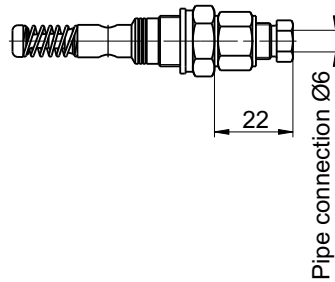
All parts made of steel are galvanized, yellow chromated.
Dust protection cap: red plastic

Pump element PE-5 to PE-50

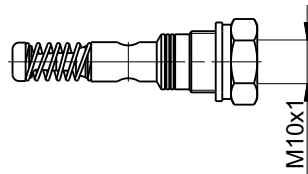
for central lubrication pump PICO

Dimensions:

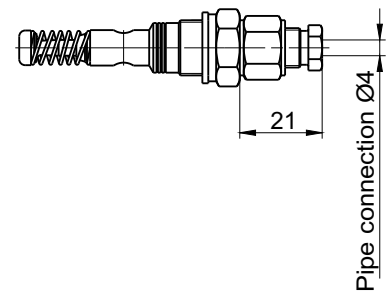
with union screw and olive for pipe $\varnothing 6$:
(standard)



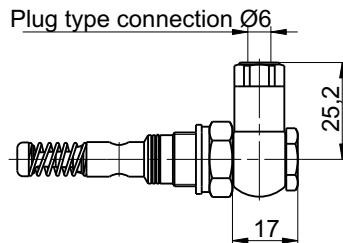
with threaded connection M10x1



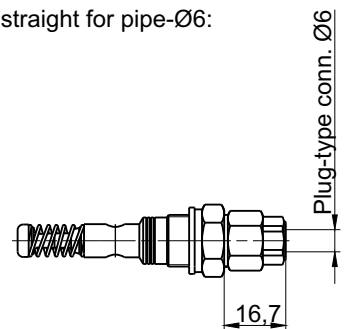
with union screw and olive for pipe- $\varnothing 4$:



with plug-type connection 90° for pipe- $\varnothing 6$:



with plug-type connection straight for pipe- $\varnothing 6$:



Order-key:

Type-no.: 2154 . 9000 . 01

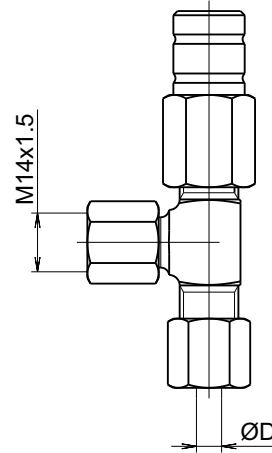
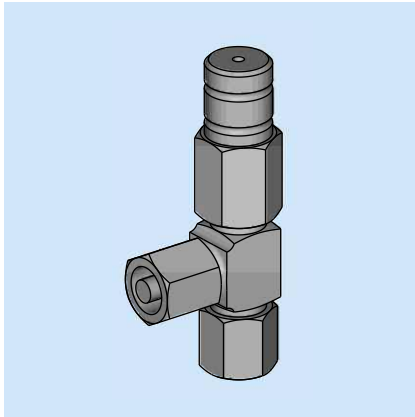
Designation	Output rate/stroke	
PE-5	5 mm ³	9001
PE-10	10 mm ³	9002
PE-15	15 mm ³	9003
PE-25	25 mm ³	9000
PE-50	50 mm ³	9010

Connection designation		
Thread connection M10x1		00
Pipe connect. $\varnothing 6$ with ÜS6 a.DKR6		01
Straight plug-type connect. for pipe- $\varnothing 6$		02
Plug-type connect. 90° for pipe- $\varnothing 6$		03
Pipe connect. $\varnothing 4$ with ÜS4 a.DKR4		04

All parts made of steel are galvanized, yellow chromated.

Pressure Relief Valve

for PE-120 and PE-120F

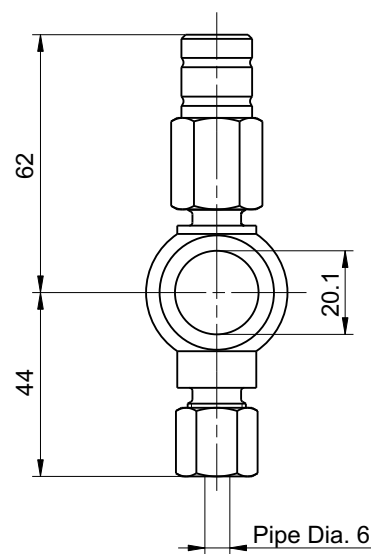
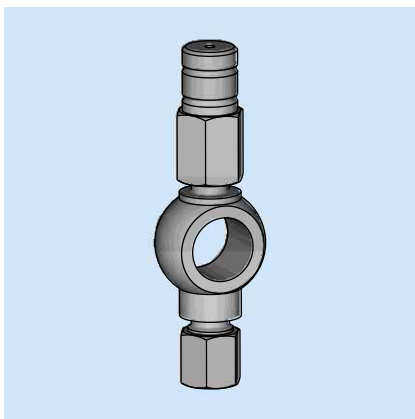


Part-No.	D	Material
2152 0062	6	Steel

All parts made of steel are zinc coated and yellow chromated.

Pressure Relief Valve

for PE-120V and PE-120FV



Part-No.	D	Material
2152 0063	6	Steel

All parts made of steel are zinc coated and yellow chromated.

Pressure relief valve with lubrication nipple

for pump elements PE-60 to PE-170 and PE-120F
adjusted to 280 bar opening pressure

Dimensions:

Fig. 1:

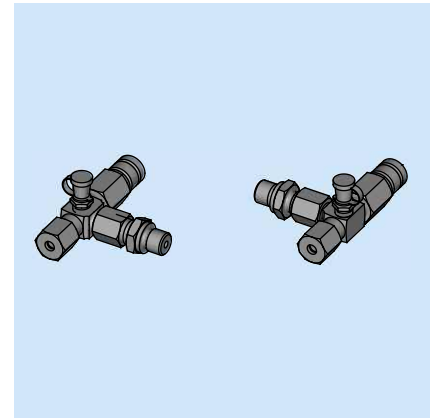
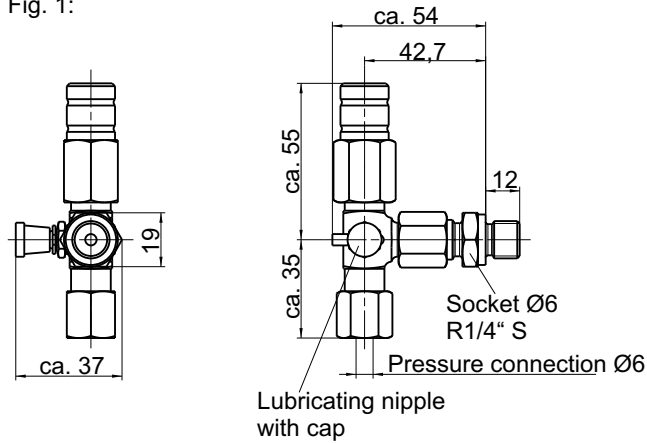
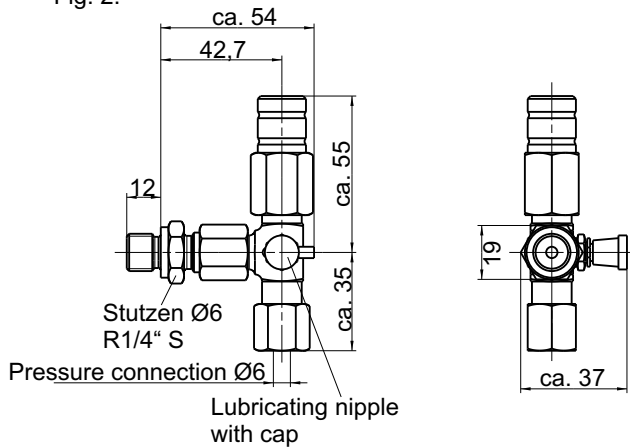


Fig. 2:



Article-no.	Fig.	Socket Ø6	Material
21520067	1	with	steel
21520068	1	without	steel
21520075	2	with	steel
21520076	2	without	steel

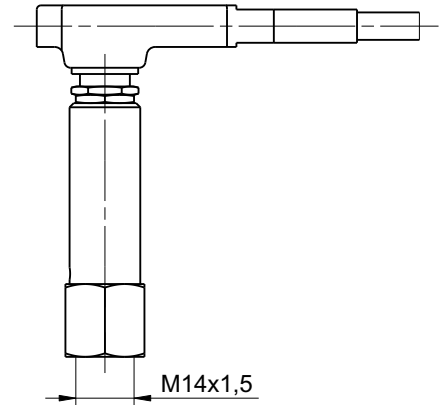
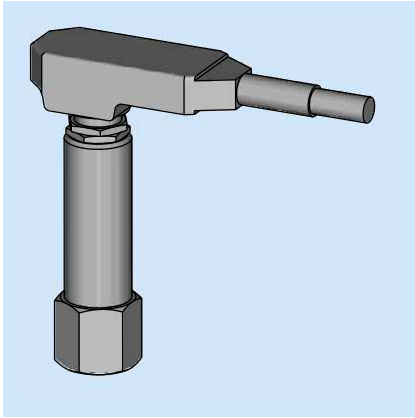
All parts made of steel are galvanized, yellow chromated.
Dust protection cap: red plastic



**Pressure relief valve with micro switch for PE60 to PE170; PE120F;
PE-120 V und PE-120 FV**

with cable one-sided

Dimensions:



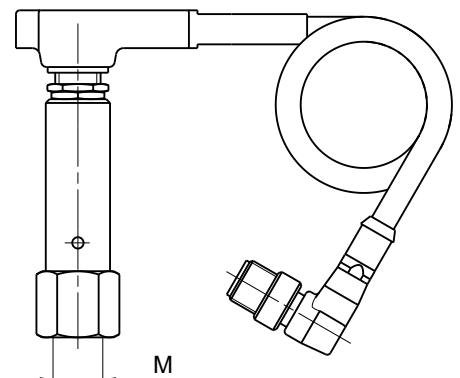
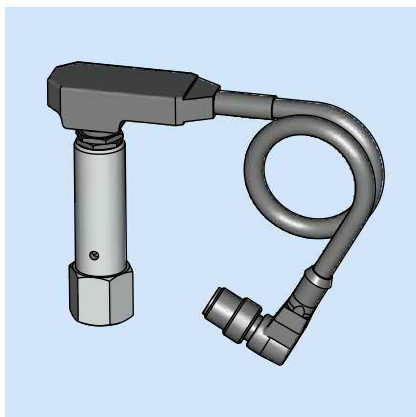
Article-no.	Material
2152 9906 10028	steel

All parts made of steel are galvanized, yellow chromated.

**Pressure relief valve with micro switch for PE60 to PE170; PE120F;
PE-120 V and PE-120 FV**

with cable and angled plug M12x1 for the connection at the BEKA-troniX1 or EP-tronic control unit with bayonet plug

Dimensions:

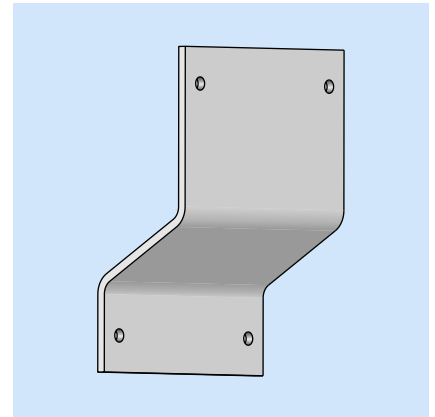
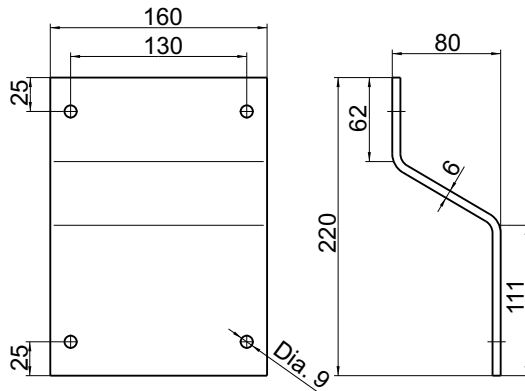


Article-no.	Material
2152 99 119	steel

All parts made of steel are galvanized, yellow chromated.

Mounting Bracket

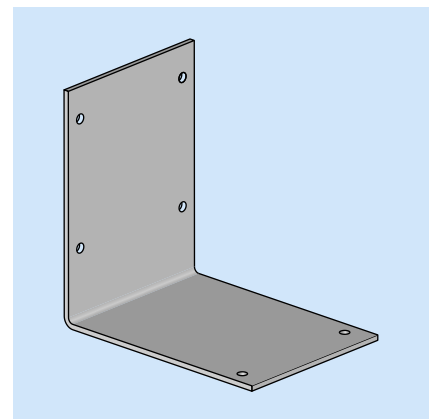
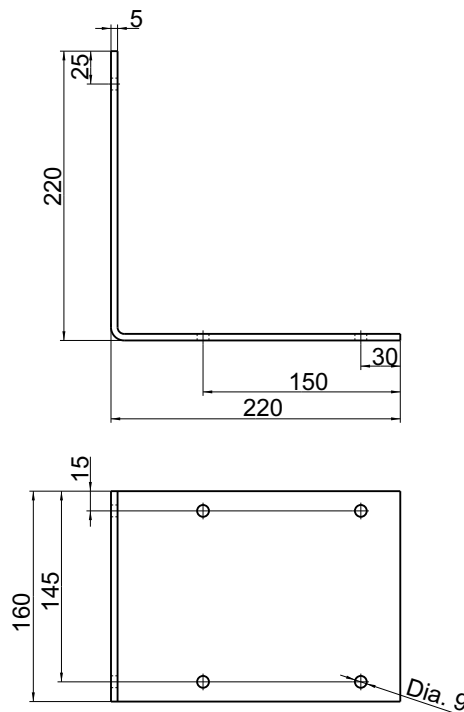
for Electric Pump EP-1



Part-No.	Material
0800500100	Steel zinc coated, yellow chromate

Mounting Plate

for Electric Pump EP-1



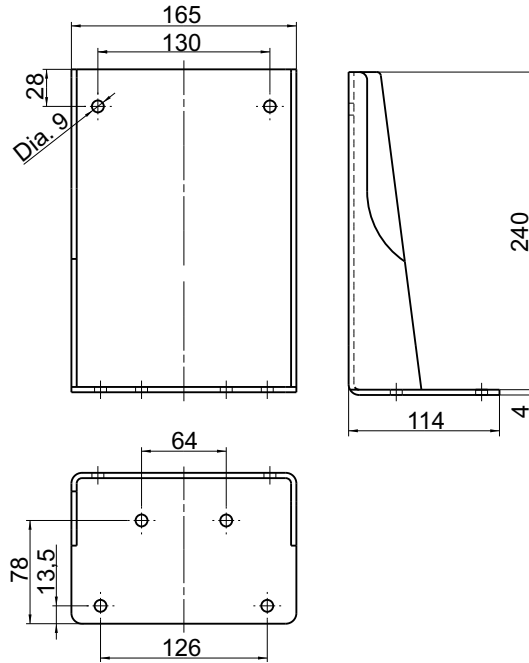
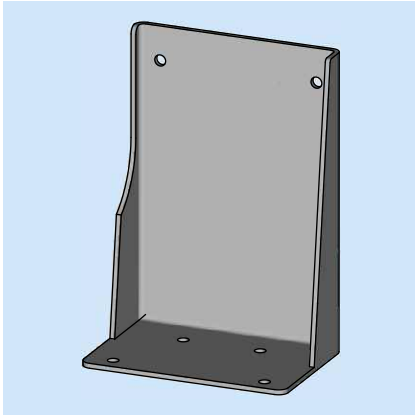
Part-No.	Material
0800500101	Steel zinc coated, yellow chromate

Subject to alterations! © BEKA 2010 All rights reserved!



Bracket

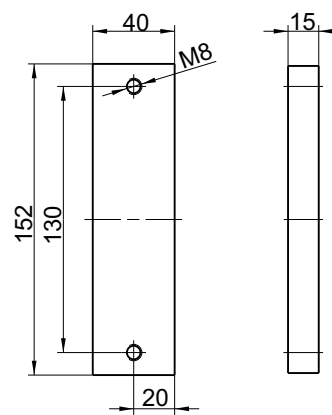
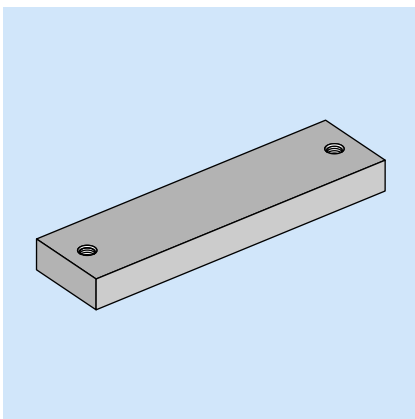
for Electric pump EP-1



Part-No.	Material
0800800445	Steel zinc coated yellow chromate

Mounting Plate

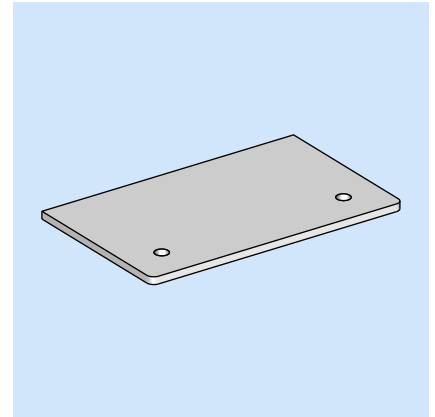
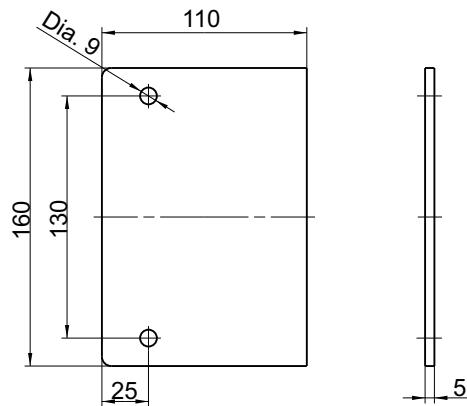
for Electric pump EP-1



Part-No.	Material
FWZ03605-00	Steel uncoated

Pump Mounting Plate

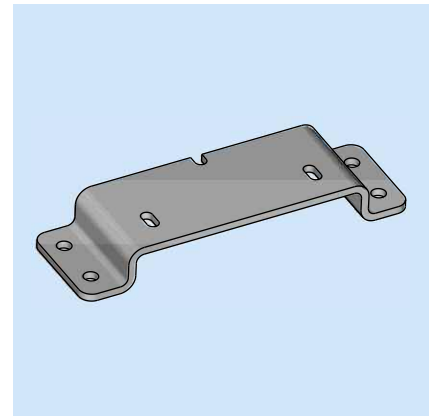
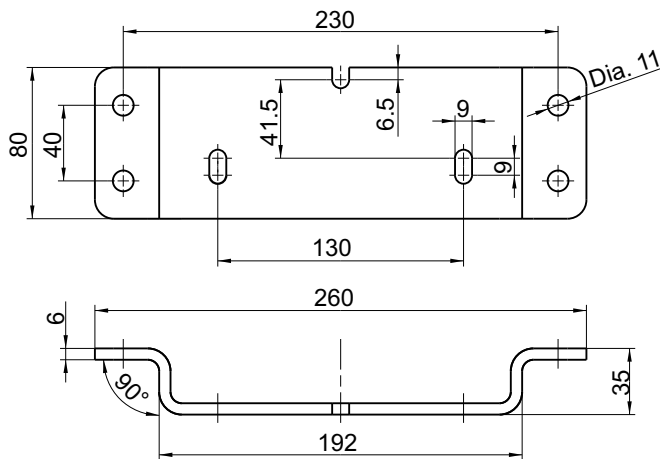
for Electric Pump EP-1



Part-No.	Material
0800800263	Steel uncoated

Mounting Bracket

for EP-1 with 8 kg Grease-reservoir 1 part

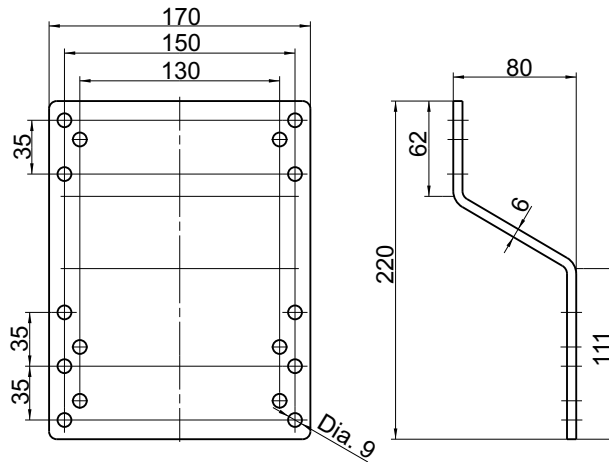
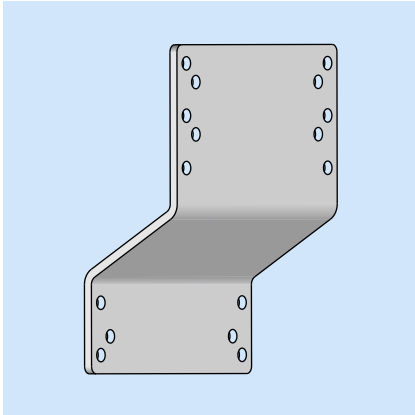


Part-No.	Material
0800800822	Steel zinc coated, yellow chromated



Pump Mounting Plate

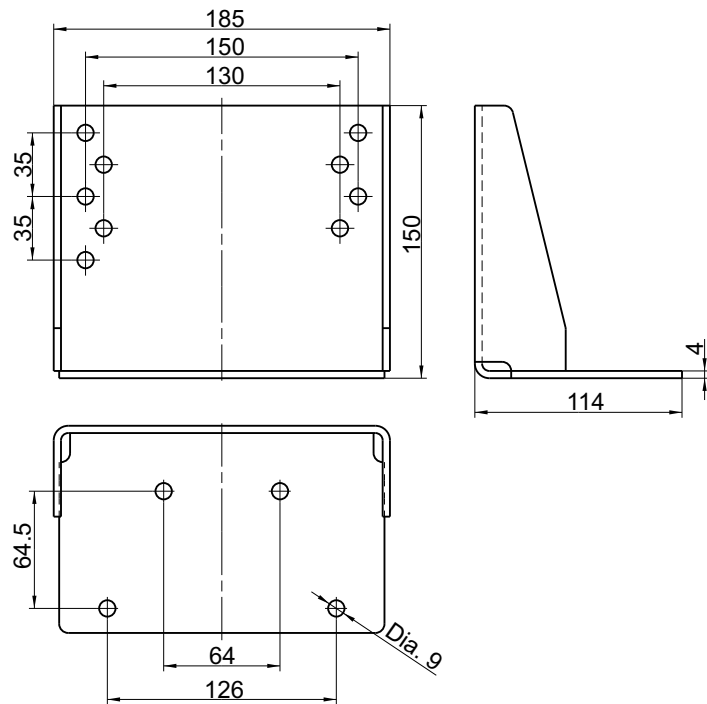
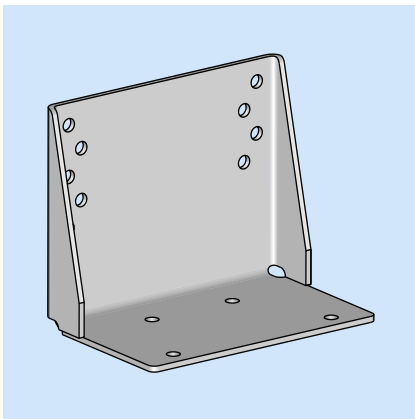
for Centralized Lubrication Pump PICO



Part-No.	Material
0800800733	Steel zinc coated, yellow chromate

Bracket

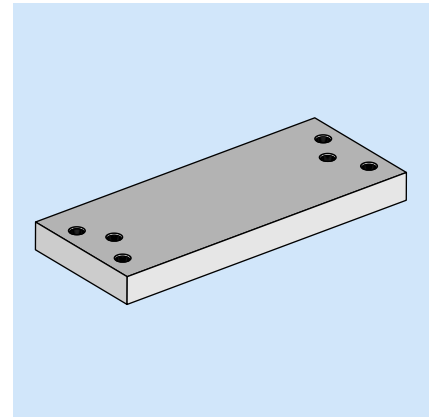
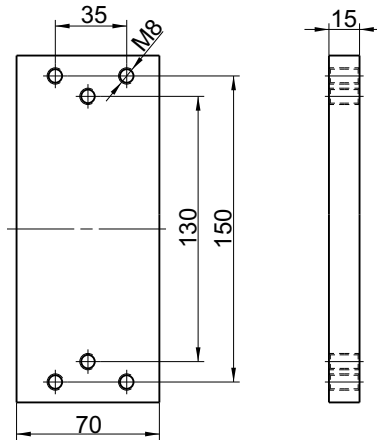
for Centralized Lubrication Pump Pico



Part-No.	Material
0800800734	Steel zinc coated, yellow chromate

Weld on mounting Plate

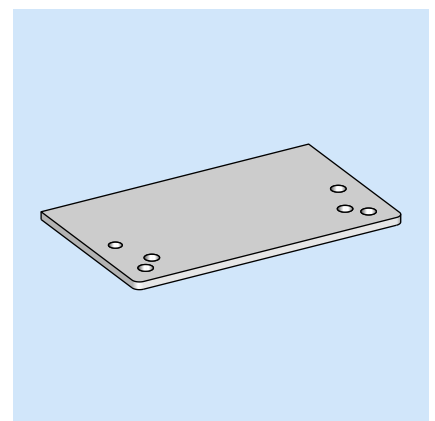
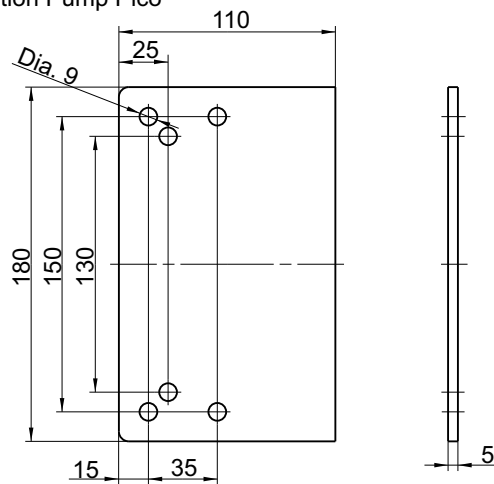
for Centralized Lubrication Pump Pico



Part-No.	Material
F2185/33-00	Steel uncoated

Mounting Plate

for Centralized Lubrication Pump Pico

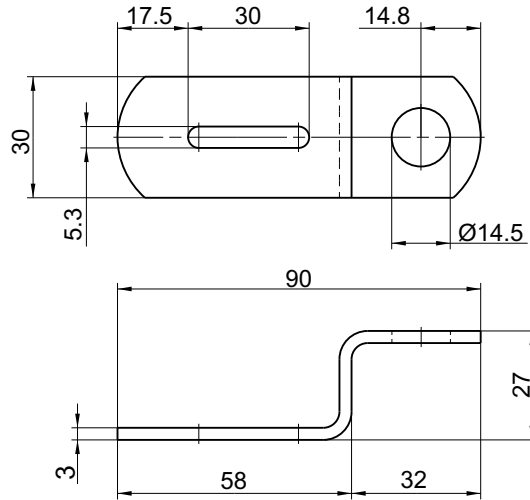
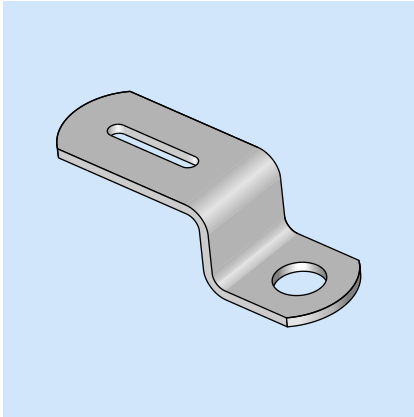


Part-No.	Material
0800800732	Steel uncoated



Mounting Bracket

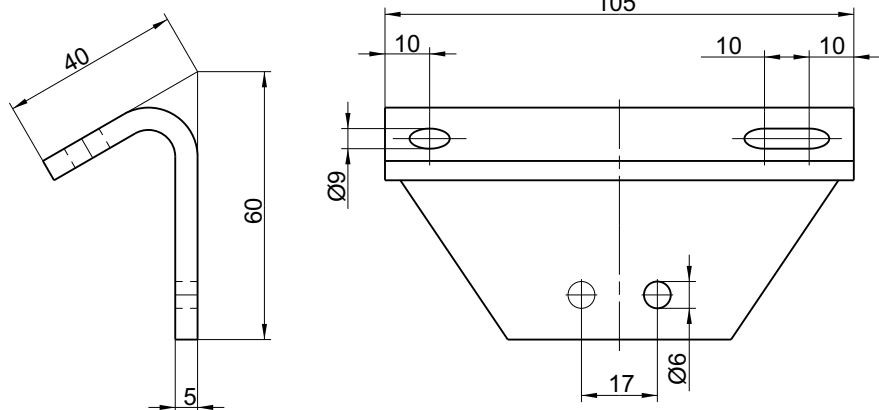
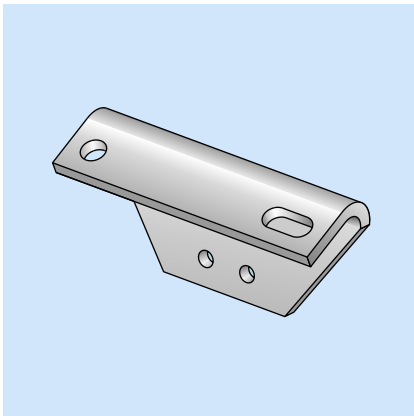
for MX-F Distributor



Part-No.	Material
0800800010	Steel zinc coated, yellow chromate

Mounting Bracket

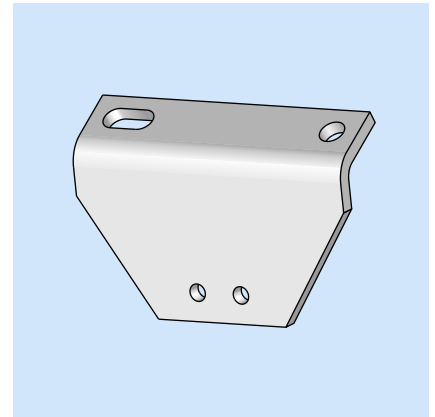
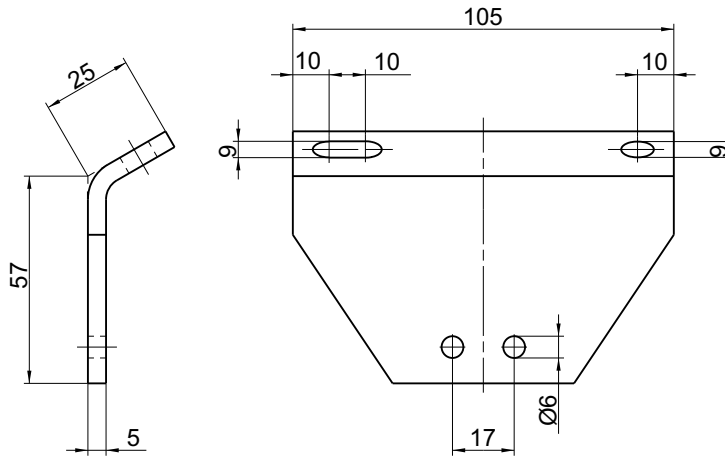
for MX-F Distributor



Part-No.	Material
0800800210	Steel zinc coated, yellow chromate

Mounting Bracket

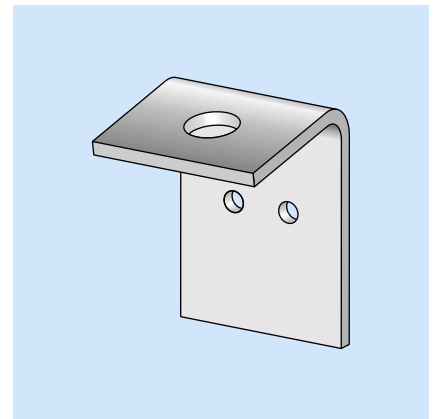
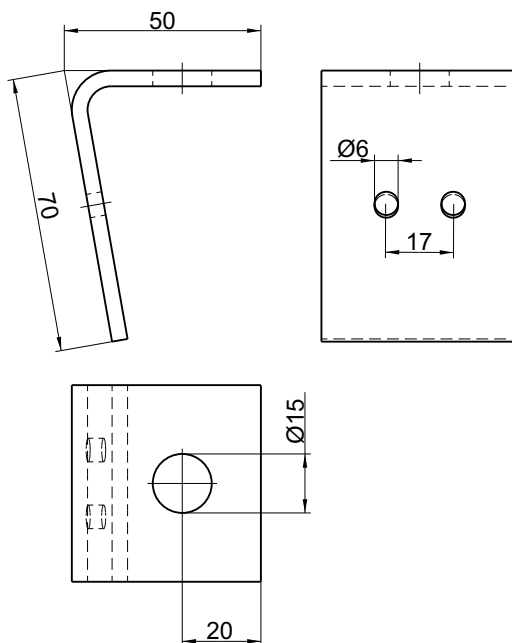
for MX-F Distributor



Part-No.	Material
0800800211	Steel zinc coated, yellow chromate

Mounting Bracket

for MX-F Distributor

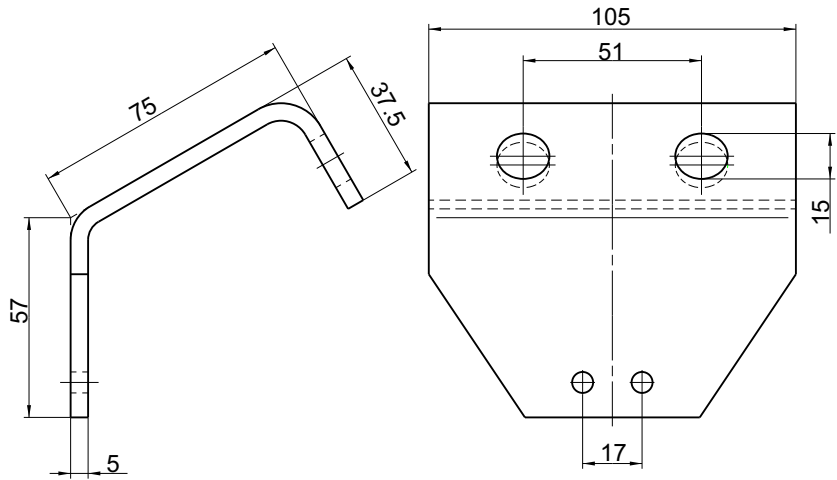
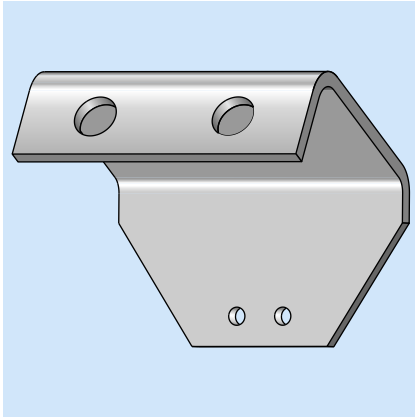


Part-No.	Material
0800800241	Steel zinc coated, yellow chromate



Mounting Bracket

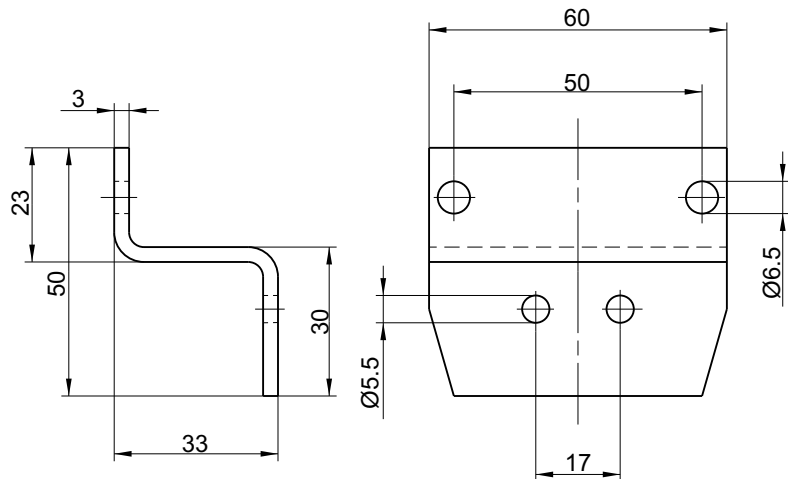
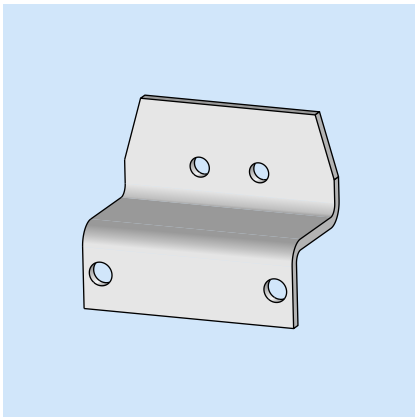
for MX-F Distributors



Part-No.	Material
0800800286	Steel zinc coated, yellow chromate

Mounting Bracket

for MX-F Distributor

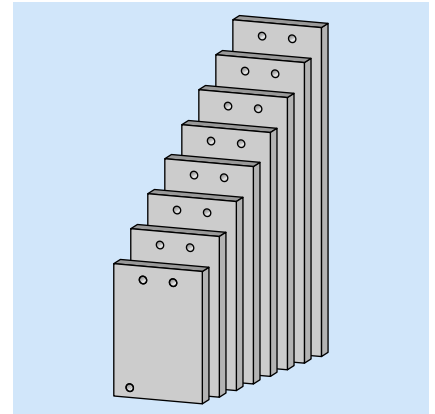
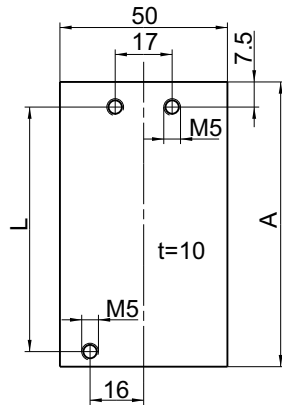


Part-No.	Material
0800800220	Steel zinc coated, yellow chromate



Mounting Plates (welding)

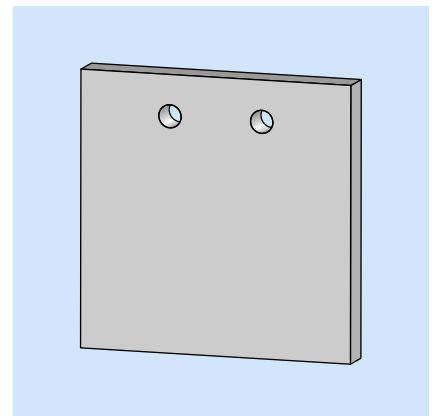
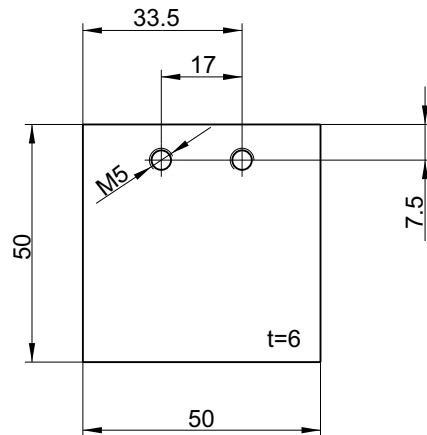
for MX-F Distributor



Part-No.	for Distributor MX-F X/X	A	L	Material
FWZ02259-00 001	3/X	70	57.2	Steel
FWZ02259-00 002	4/X	85	72.0	Steel
FWZ02259-00 003	5/X	100	86.7	Steel
FWZ02259-00 004	6/X	115	101.5	Steel
FWZ02259-00 005	7/X	129	116.2	Steel
FWZ02259-00 006	8/X	144	131	Steel
FWZ02259-00 007	9/X	159	145.7	Steel
FWZ02259-00 008	10/X	174	160.5	Steel

Short Mounting Plate (welding)

for MX-F Distributors

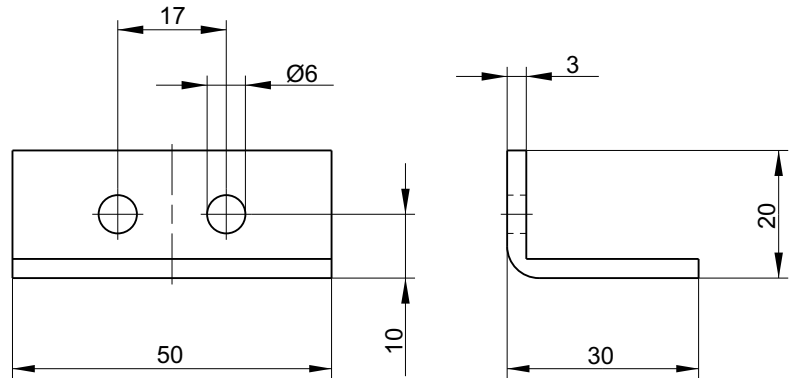
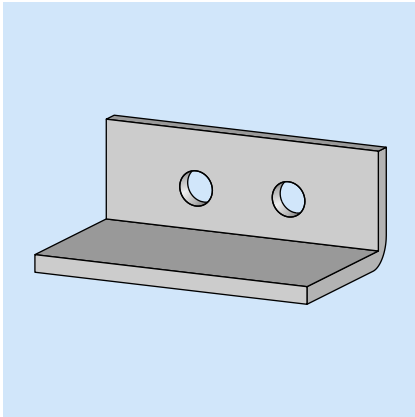


Part-No.	Material
0800800636	Steel zinc coated, yellow chromate

Subject to alterations! © BEKA 2010 All rights reserved!

Angle Mounting Plate (welding)

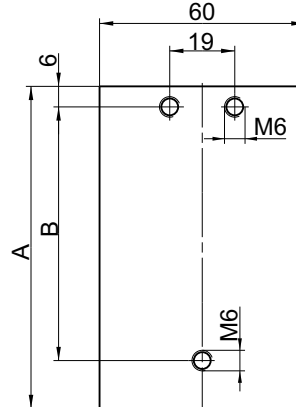
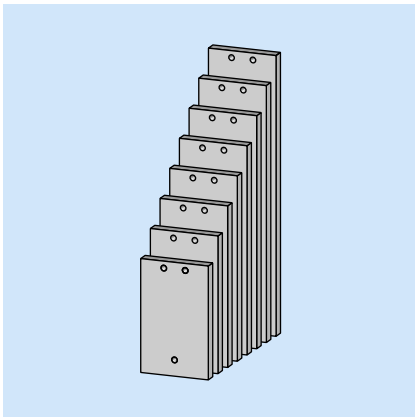
for MX-F Distributor



Part-No.	Material
0800800571	Steel zinc coated, yellow chromate

Mounting Plates (welding)

for SX-1 Distributors

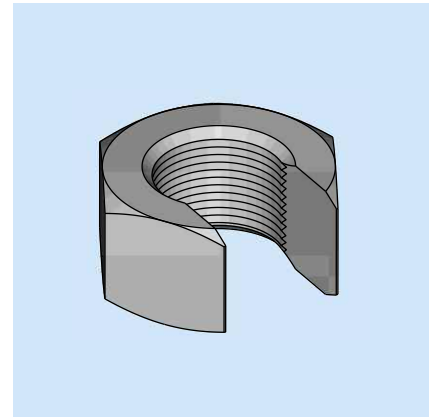
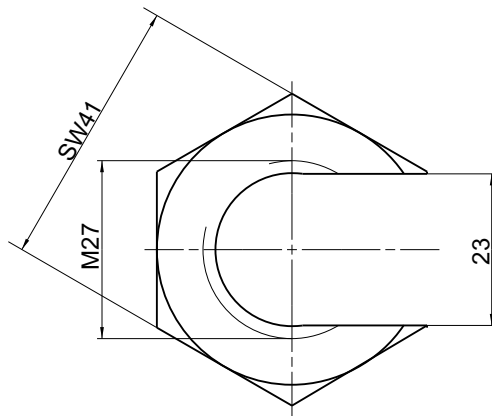


Part-No.	for Distributor SX-1 X/X	A	B	Material
FWZ02259-02 001	3	94.1	74.1	Steel
FWZ02259-02 002	4	113.8	93.8	Steel
FWZ02259-02 003	5	133.5	113.5	Steel
FWZ02259-02 004	6	153.2	133.2	Steel
FWZ02259-02 005	7	172.9	152.9	Steel
FWZ02259-02 006	8	192.6	172.6	Steel
FWZ02259-02 007	9	212.3	192.3	Steel
FWZ02259-02 008	10	232.0	212.0	Steel

Subject to alterations! © BEKA 2010 All rights reserved!

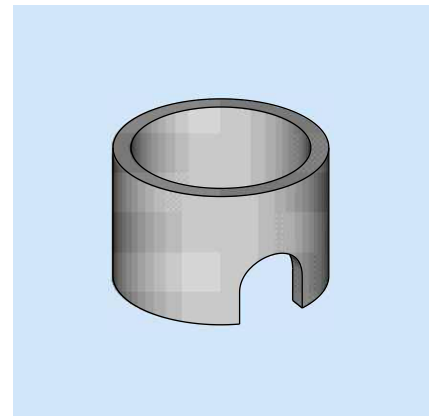
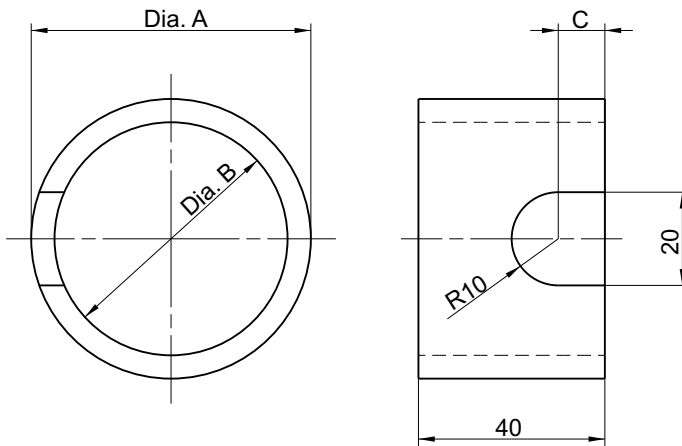


Weld-on Nut



Part-No.	Material
FWZ02617-00	Steel

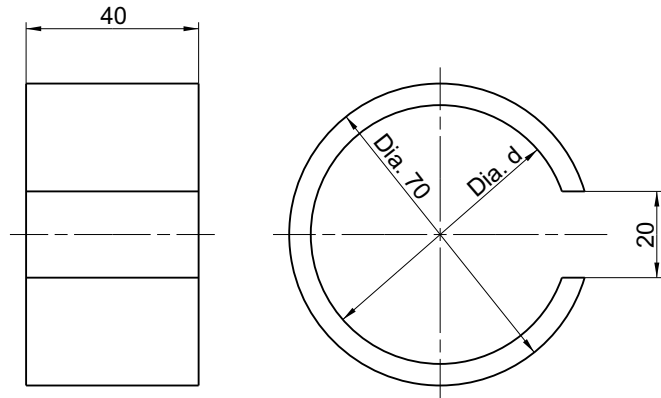
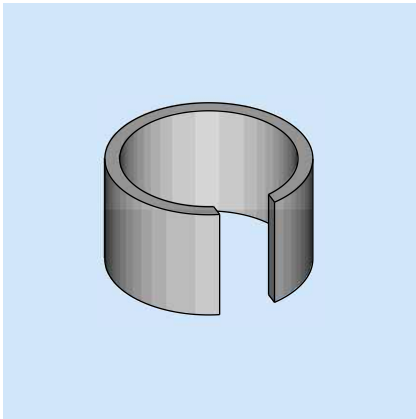
Protection Ring



Part-No.	Dia. A	Dia. B	C	Material
FWZ02902-01	60	50	10	Steel
FWZ02902-02	90	78	13	Steel
0802000595	70	60	10	Steel

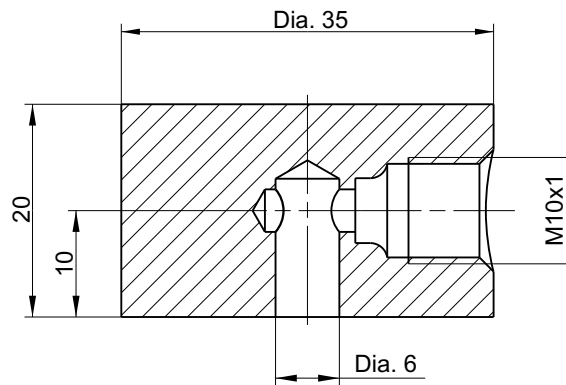
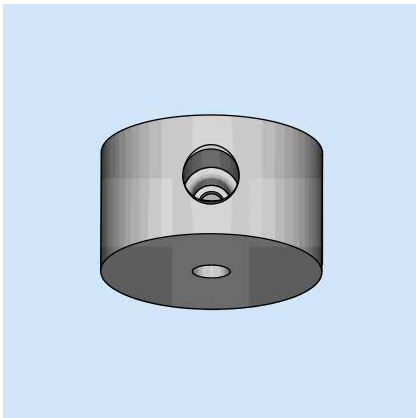


Protector for Lubrication Points



Part-No.	Dia. d	Material
FWZ02902-00	60	Steel undercoated
FWZ02902-06	50	Steel bare

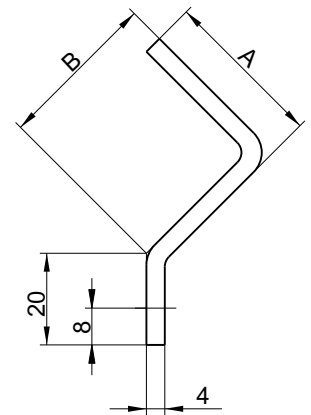
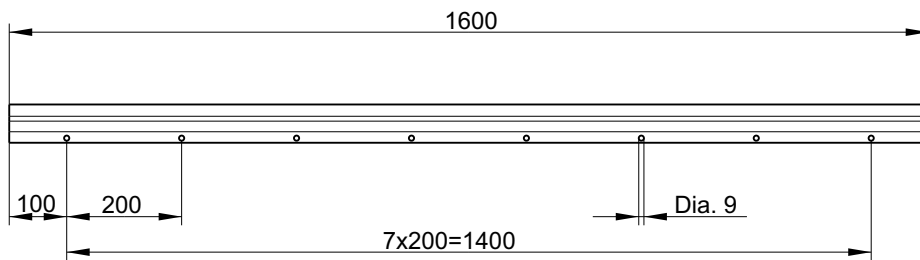
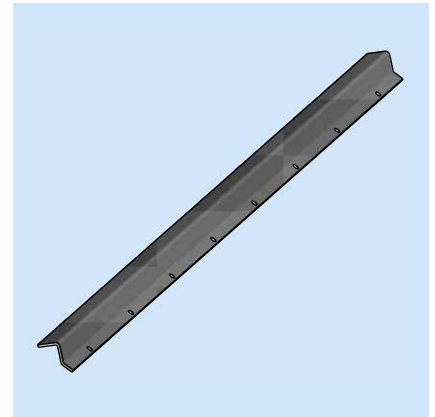
Weld-on Piece for connecting the Lubrication Point



Part-No.	Material
FWZ03326-00	Steel



Protector for Pipes

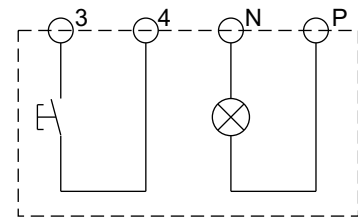
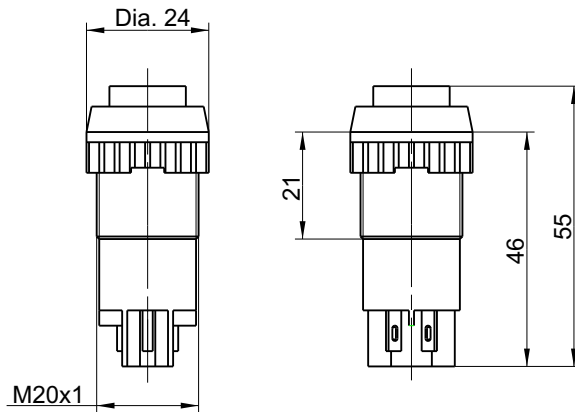
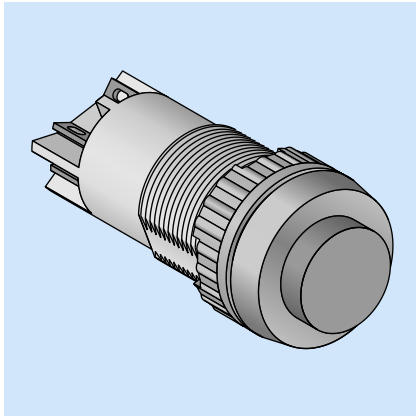


Part-No.	A	B	Material
0800800628	35	35	Steel

All Parts made of Steel are Zinc coated and yellow chromated.

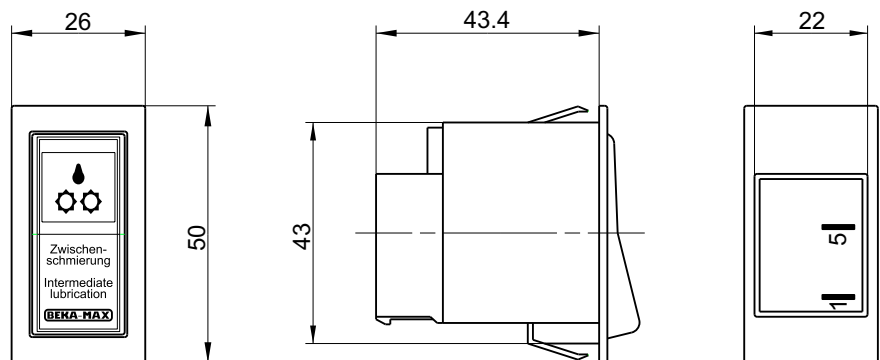
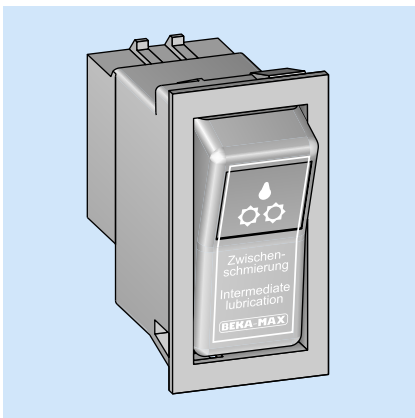


Push Button Light (including Sticker)

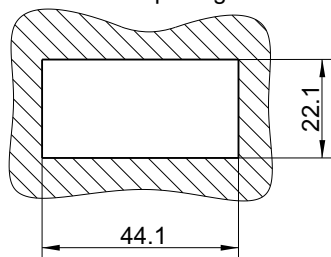


Part-No.	Voltage	Color	Material
100 091 051	12V	green	Plastics
100 091 050	24V	green	Plastics

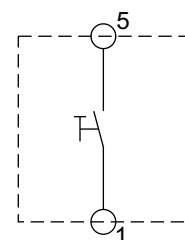
Intermediate Lube Button (without Signal Lamp, inclusive Sticker)



Installation Opening:

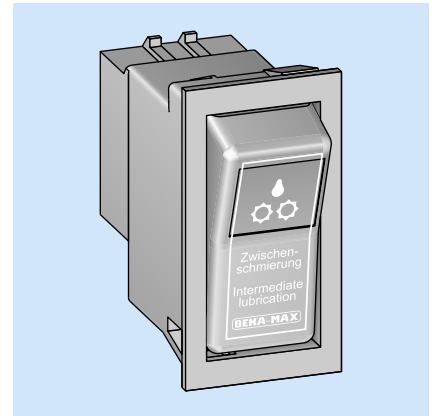
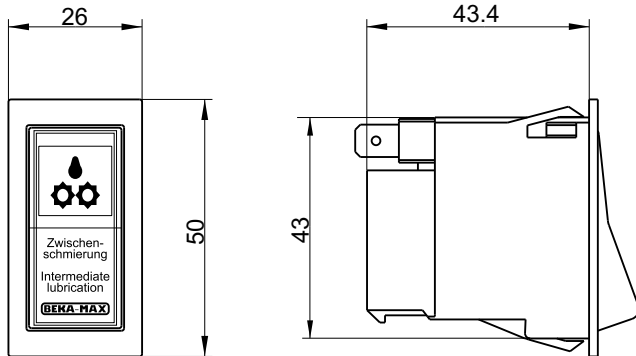


Part-No.	Material
1000950017	Plastic

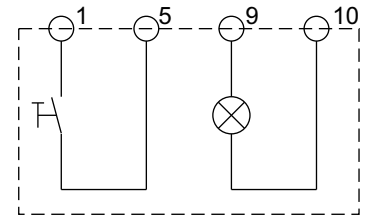
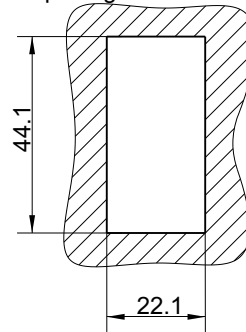


Intermediate Lube Button

(with Signal Lamp)



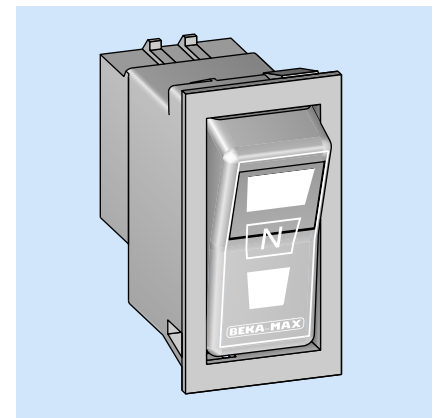
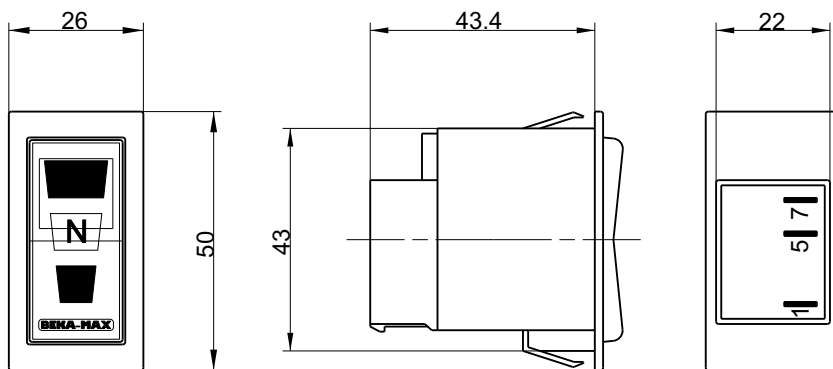
Installations
Opening:



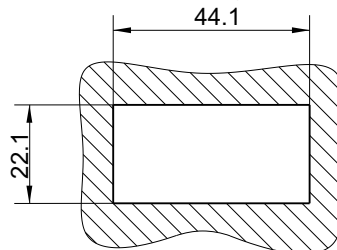
Part-No.	Voltage	Color	Material
1000 950 023	12V	green	Plastic
1000 950 024	24V	green	Plastic
1000 950 019	12V	red	Plastic
1000 950 020	24V	red	Plastic

Selective Lube Button

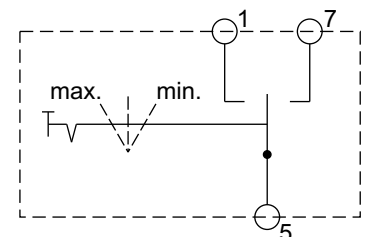
depending on Working Conditions



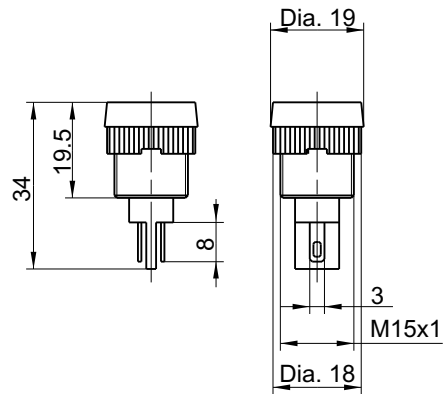
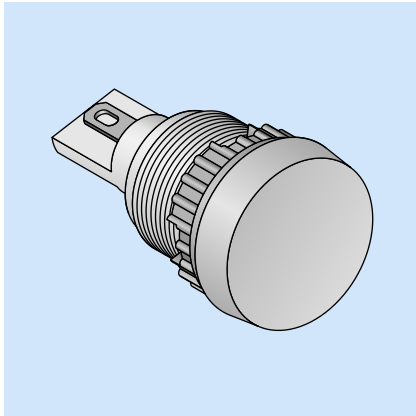
Installations Opening:



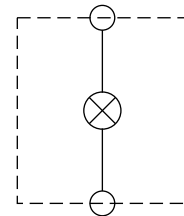
Part-No.	Material
1000950018	Plastic



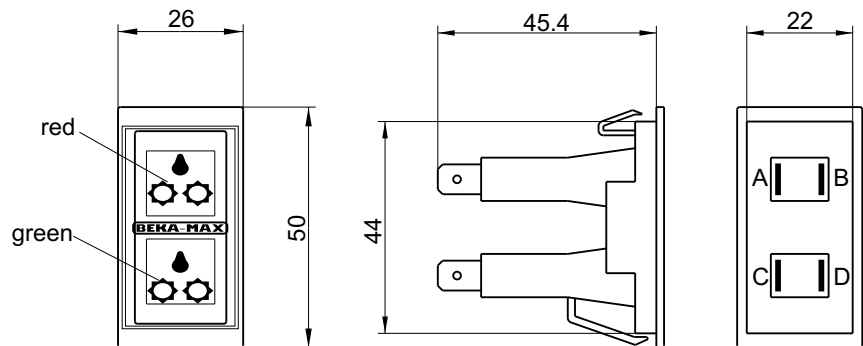
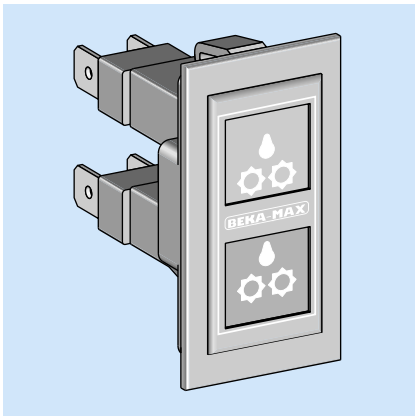
Signal Lamp



Part-No.	Voltage	Color	Material
100 091 300	12V	green	Plastic
100 091 310	24V	green	Plastic
100 091 305	12V	red	Plastic
100 091 320	24V	red	Plastic

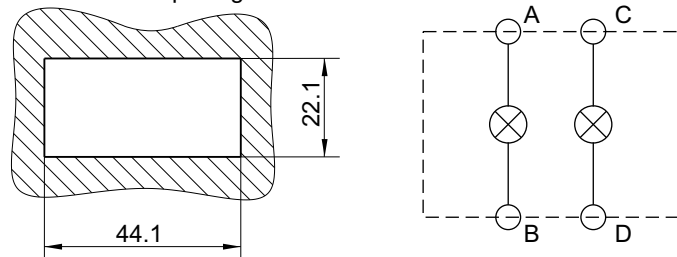


Signal Lamp



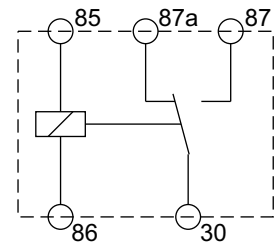
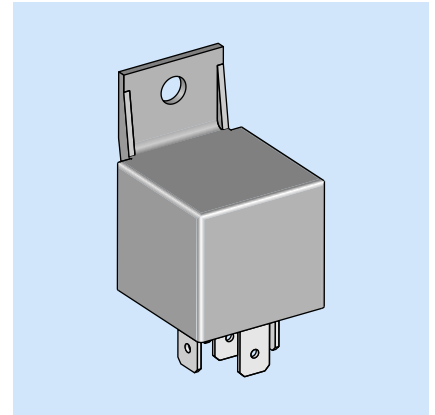
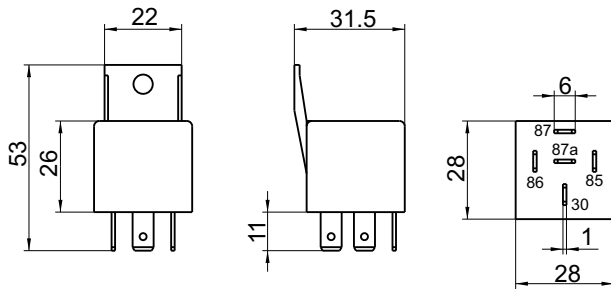
Part-No.	Voltage	Material
1000 950 021	12V	Plastic
1000 950 022	24V	Plastic

Installations Opening:



Small Relay

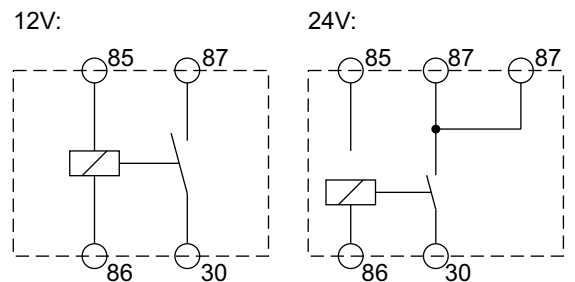
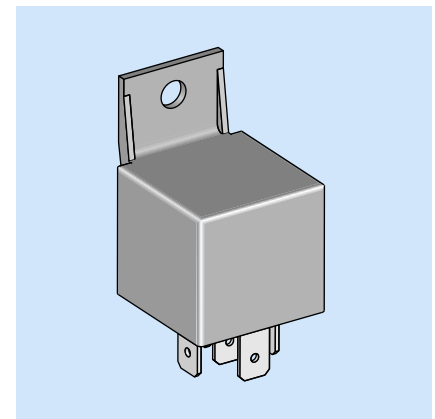
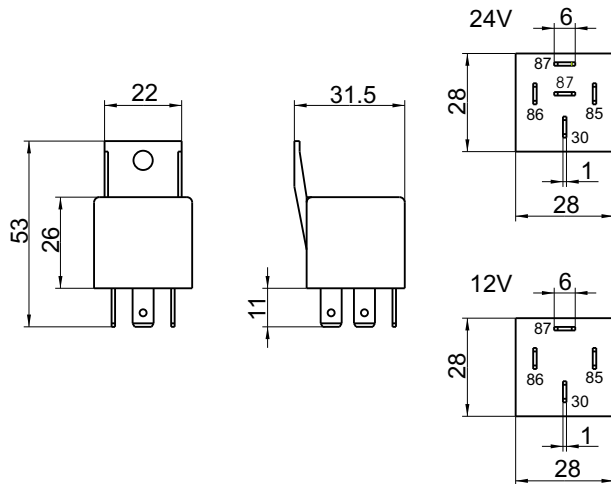
1 changeover switch



Part-No.	Voltage	Amperage
05 000 400 013	12V	20A
05 000 400 014	24V	20A

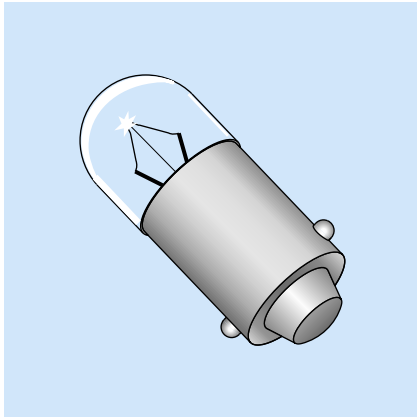
Small Relay

1 Closer

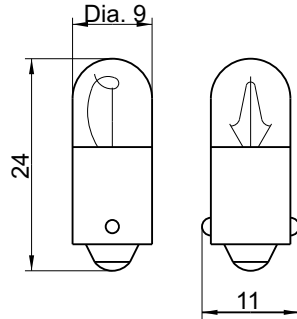


Part-No.	Voltage	Amperage
100 091 397	12V	30A
100 091 430	24V	20A

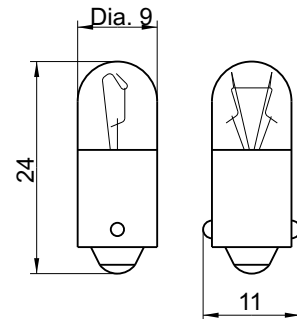
Incandescent Lamps



Incandescent Lamp 12 V

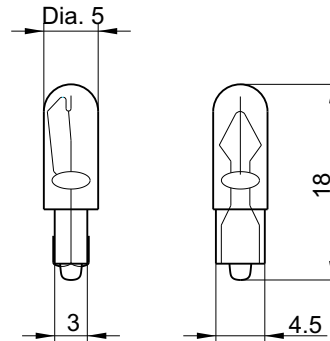
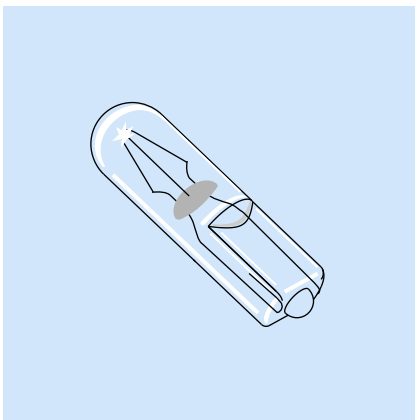


Incandescent Lamp 24 V



Part-No.	Voltage	Fitting for	
		Known as	Part-No.
100 091 551	12V	Light Push Button	100091051
100 091 550	24V	Light Push Button	100091050

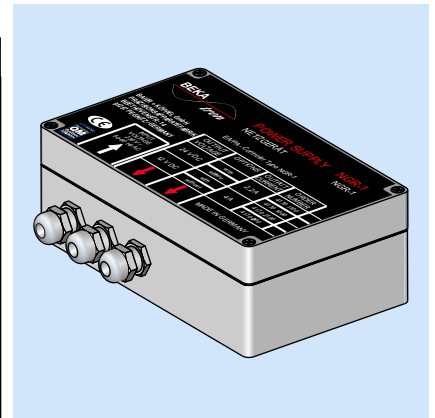
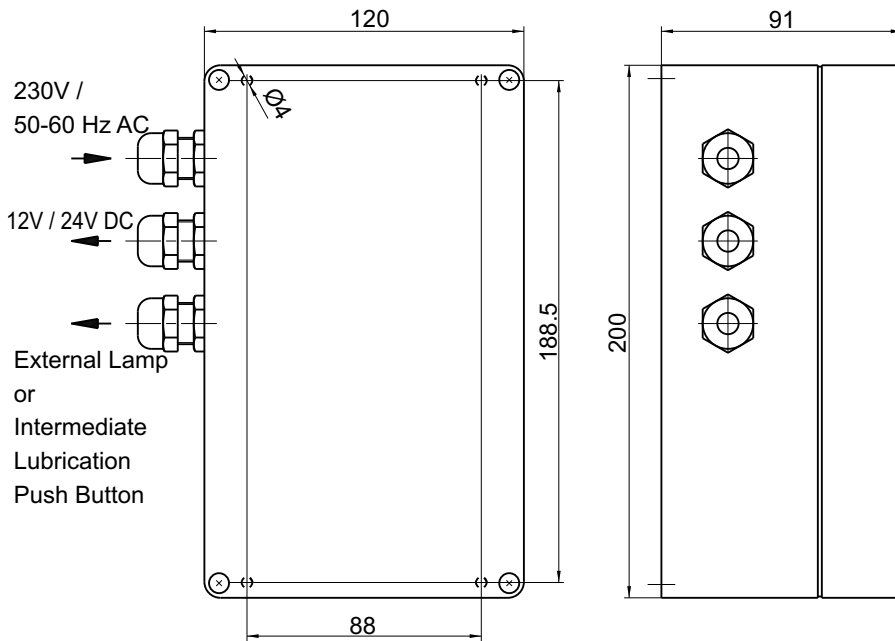
Incandescent Lamps



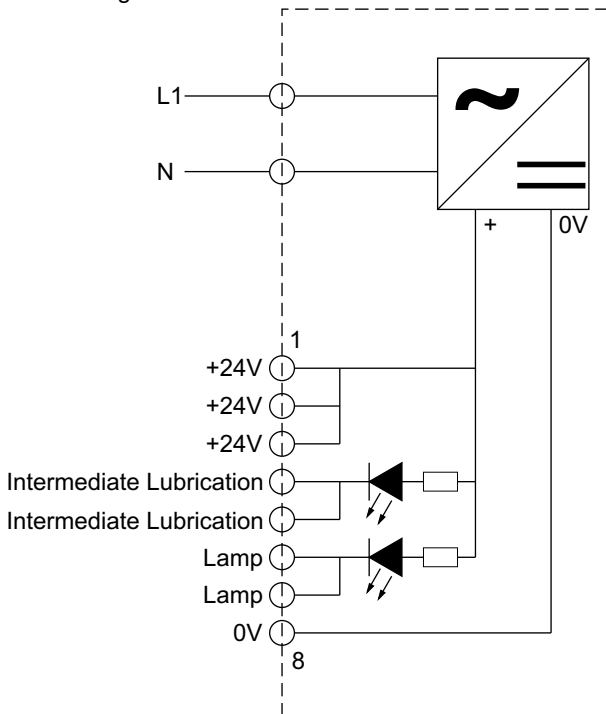
Part-Nr.	Voltage	Fitting for	
		Known as:	Part-No.
100 091 561	12V	Intermediate Button	1000950023
	12V	Intermediate Button	1000950019
	12V	Signal Light	100091300
	12V	Signal Light	100091305
	12V	Signal Light	1000950021
100 091 560	24V	Intermediate Button	1000950020
	24V	Intermediate Button	100091050
	24V	Signal Light	100091310
	24V	Signal Light	100091320
	24V	Signal Light	1000950022



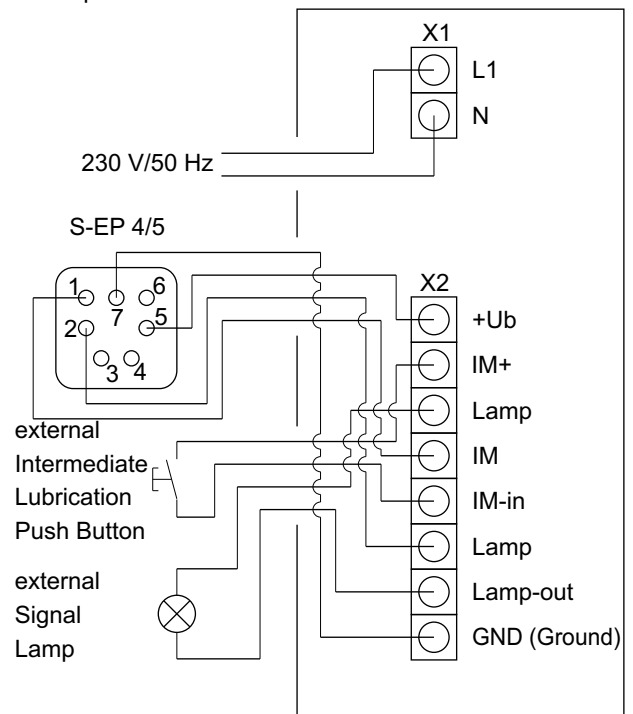
Power Supply NGR-1



Circuit Diagram:



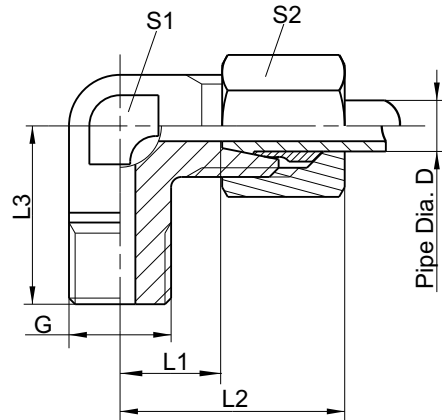
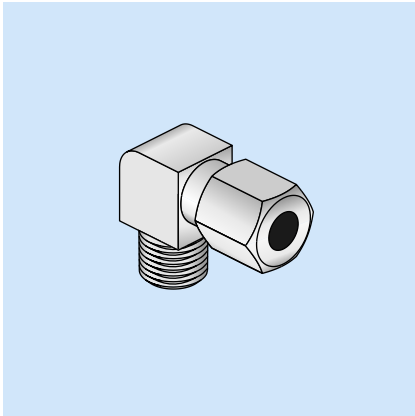
Example for connection:



Possibility for Connect a Signal Lamp or a Intermediate Lubrication Push Button

Part-No.	Voltage	Amperage	Possibility for Connect a Signal Lamp or a Intermediate Lubrication Push Button
4170 2100	12V	4 A	with
4170 2000	12V	4 A	without
4170 1100	24V	2.2 A	with
4170 1000	24V	2.2 A	without

Angular Couplings

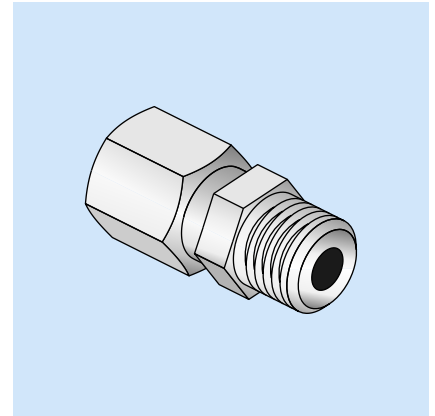
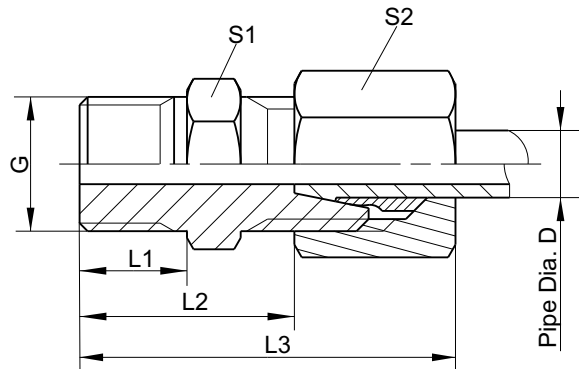


Part-No.	G	Construction Sort	Pipe Dia. D	L1	approx. L2	L3	S1	S2	Material
0401 2210 406	M6k	LL	4	11	21	17	9	10	Steel
0401 2210 506	M8x1k	LL	4	11	21	17	9	10	Steel
0401 2210 513	M8x1k	LL	4	11	21	17	9	10	1.4751
0401 2210 306	M10x1k	LL	4	11	21	17	11	10	Steel
0401 2210 606	R1/8" k	LL	4	11	21	18	11	10	Steel
0401 2210 613	R1/8" k	LL	4	11	21	18	11	10	1.4751
0401 2200 406	M6k	LL	6	9.5	21	17	11	12	Steel
0401 2200 413	M6k	LL	6	9.5	21	17	11	12	1.4305
0401 2200 506	M8x1k	LL	6	9.5	21	17	11	12	Steel
0401 2200 513	M8x1k	LL	6	9.5	21	17	11	12	1.4305
0401 2200 306	M10x1k	LL	6	9.5	21	17	11	12	Steel
0401 2200 313LL	M10x1k	LL	6	9.5	21	17	11	12	1.4305
0401 2200 306L	M10x1k	L	6	12	27	20	12	14	Steel
0401 2200 606	R1/8" k	LL	6	10	22	17	11	12	Steel
0401 2200 613LL	R1/8" k	LL	6	10	22	17	11	12	1.4305
0401 2200 806	R1/4" k	S	6	16	31	27	14	17	Steel
0401 2200 813	R1/4" k	S	6	16	31	27	14	17	1.4305
0401 2220 606	R1/8" k	LL	8	11.5	23	20	12	14	Steel
0401 2220 306	M10x1k	LL	8	11.5	23	20	12	14	Steel
0401 2220 313	M10x1k	LL	8	11.5	23	20	12	14	1.4305
0401 2220 613	R1/8" k	LL	8	11.5	23	20	12	14	1.4305
0401 2220 806	R1/4" k	L	8	14	29	27	14	17	Steel
0401 2220 813	R1/4" k	L	8	14	29	27	14	17	1.4305

All Parts made of steel are zinc coated and yellow chromated.



Straight Coupling with Conical Thread

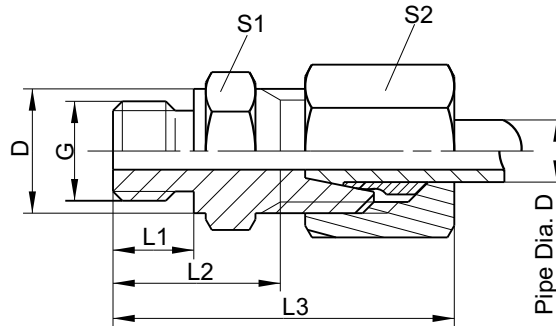
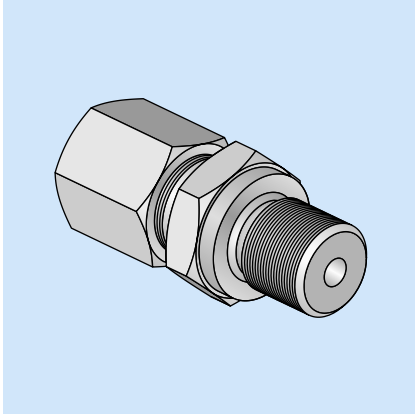


Part-No.	G	Construction Sort	Pipe Dia. D	L1	L2	approx. L3	S1	S2	Material
0401 2010 406	M6k	LL	4	8	16	26	10	10	Steel
0401 2010 506	M8x1k	LL	4	8	16	26	10	10	Steel
0401 2010 513	M8x1k	LL	4	8	16	26	10	10	1.4571
0401 2010 306	M10x1k	LL	4	8	14.5	26	11	12	Steel
0401 2010 606	R1/8" k	LL	4	8	16	26	11	10	Steel
0401 2000 406	M6k	LL	6	8	14.5	26	11	12	Steel
0401 2000 413	M6k	LL	6	8	14.5	26	11	12	1.4571
0401 2003 906	M7x1k	LL	6	8	14.5	26	12	12	Steel
0401 2000 506	M8x1k	LL	6	8	14.5	26	11	12	Steel
0401 2000 513	M8x1k	LL	6	8	14.5	26	11	12	1.4571
0401 2000 306	M10x1k	LL	6	8	14.5	26	11	12	Steel
0401 2000 313	M10x1k	LL	6	8	14.5	26	11	12	1.4305
0401 2000 606	R1/8" k	LL	6	8	14.5	26	11	12	Steel
0401 2000 613	R1/8" k	LL	6	8	14.5	26	11	12	1.4305
0401 2000 806	R1/4" k	S	6	11.5	23.5	40	17	17	Steel
0401 2020 306	M10x1k	LL	8	8	16.5	28	12	14	Steel
0401 2020 313	M10x1k	LL	8	8	16.5	28	12	14	1.4305
0401 2020 806	R1/4" k	L	8	12	20	35	17	17	Steel

All Parts made of steel are zinc coated and yellow chromated.



Straight Couplings with Straight Thread



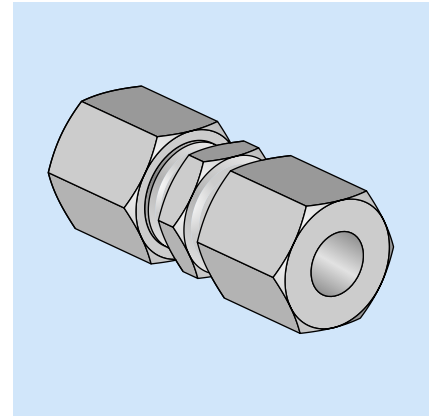
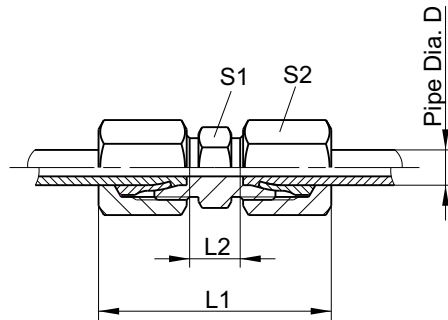
Part-No.	G	Construction Sort	Pipe Dia. D	L1	L2	approx. L3	S1	S2	D	Material
0401 2010 913	G1/8"	LL	4	8	16	28	14	12	14	1.4571
0401 2000 206	M10x1	L	6	8	16.5	31	14	14	14	Steel
0401 2000 213	M10x1	L	6	8	16.5	31	14	14	14	1.4571
0401 2000 906	G1/8"	LL	6	8	16	28	14	12	14	Steel
0401 2000 913LL	G1/8"	LL	6	8	16	28	14	12	14	1.4571
0401 2001 006L	G1/4"	L	6	12	22	37	19	14	18	Steel
0401 2001 006	G1/4"	S	6	12	25	40	19	17	18	Steel
0401 2001 013	G1/4"	S	6	12	25	40	19	17	18	1.4571
0401 2001 406	G3/8"	L	6	12	23.5	38	22	14	22	Steel
0401 2020 213	M10x1	L	8	12	22	37	17	17	17	1.4571
0401 2020 906	G1/8"	LL	8	8	18	29	14	14	14	Steel
0401 2020 913	G1/8"	LL	8	8	18	29	14	14	14	1.4571
0401 2021 006	G1/4"	L	8	12	22	37	19	17	18	Steel
0401 2021 013	G1/4"	L	8	12	22	37	19	17	18	1.4571
0401 2021 006S	G1/4"	S	8	12	27	42	19	19	18	Steel
0401 2021 406	G3/8"	L	8	12	23.5	38	22	17	22	Steel
0401 2021 413	G3/8"	L	8	12	23.5	38	22	17	22	1.4571

All Parts made of steel are zinc coated and yellow chromated.



Straight Couplings

(Pipe Connectors)

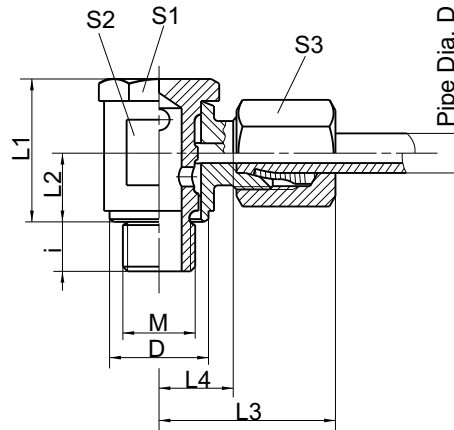
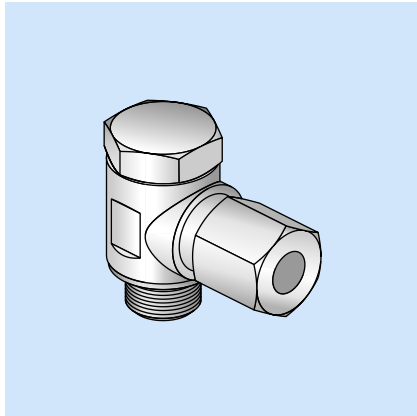


Part-No.	Pipe Dia. D	Construction Sort	approx.				Material
			L1	L2	S1	S2	
0401 3600 106	4	LL	31	12	9	10	Steel
0401 3600 306	6	LL	32	9	11	12	Steel
0401 3600 313	6	LL	39	9	11	12	1.4571
0401 3601 006	6	L	39	10	12	14	Steel
0401 3602 006	6	S	45	16	14	17	Steel
0401 3600 406	8	LL	35	12	12	14	Steel
0401 3601 106	8	L	40	11	14	17	Steel
0401 3602 106	8	S	47	18	17	19	Steel

All Parts made of steel are zinc coated and yellow chromated.



Banjo Assembly

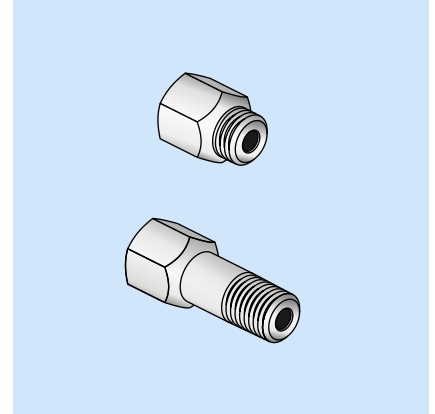
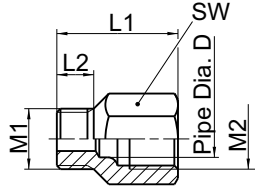


Part-No.	M	Pipe Dia. D	Construction sort	Construction approx.										Material
				L1	L2	L3	L4	i	S1	S2	S3	D		
0401 3210 206	M10x1	4	LL	20	9.5	22	10	6	14	14	12	13	Steel	
0401 3210 706	M8x1	4	LL	18	8	21	11.5	6	14	14	10	13	Steel	
0401 3200 706LL	M8x1	6	LL	20	9.5	22	10	6	14	14	12	13	Steel	
0401 3200 206LL	M10x1	6	LL	20	9.5	22	10	6	14	14	12	13	Steel	
0401 3200 206	M10x1	6	L	22	10	26	11.5	6	14	17	14	14.5	Steel	
0401 3200 906	G1/8"	6	L	22	10	26	11.5	6	14	17	14	14.5	Steel	
0401 3201 006	G1/4"	6	S	26	12.5	29	14.5	9	19	19	17	18	Steel	
0401 3220 206LL	M10x1	8	LL	21.5	10	23	11	6	14	14	14	13	Steel	
0401 3220 906	G1/8"	8	LL	21.5	10	23	11	6	14	14	14	13	Steel	
0401 3221 006	G1/4"	8	L	26	12.5	28	13	9	19	19	17	18	Steel	

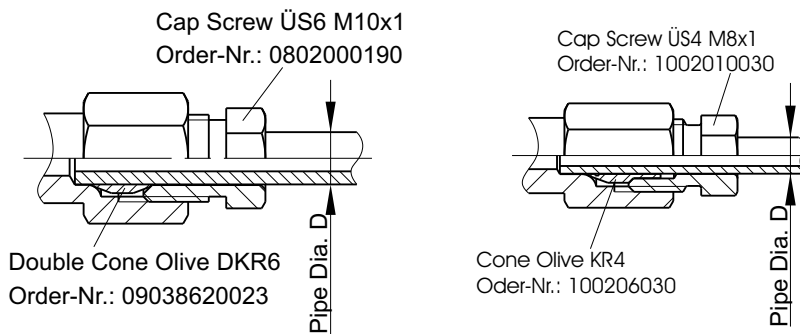
All Parts made of steel are zinc coated and yellow chromated.



Extension Piece



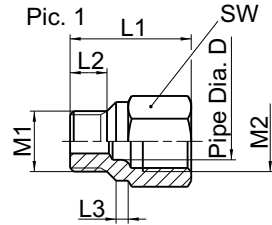
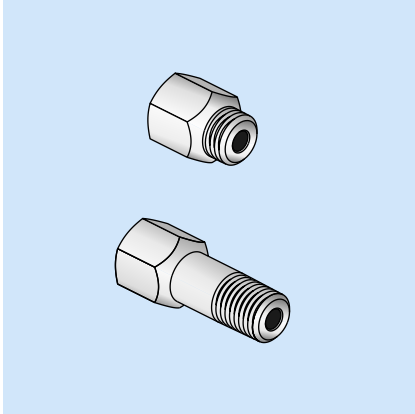
It is also possible to connect the lubrication pipes with a extension piece direct.



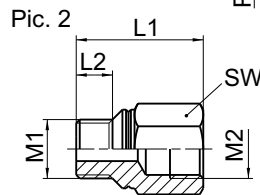
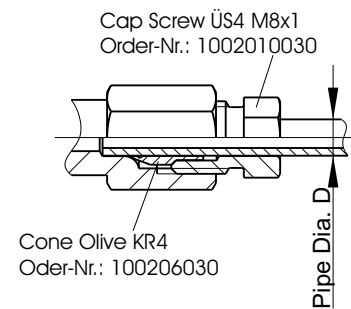
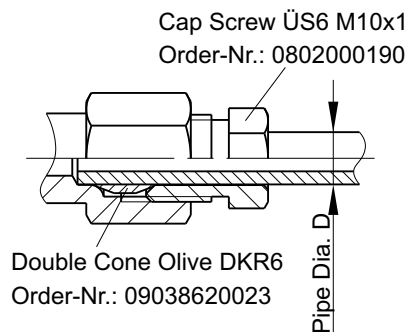
Part-No.	M1	M2	L1	L2	L3	SW	Pipe Dia. D	Material
1002 1000 301k	M6k	M8x1	20	6	--	11	4	Steel
0401 1600 506	M6k	M10x1	24	6	--	13	6	Steel
0401 1600 406	M8k	M10x1	21	6	--	13	6	Steel
1002 1000 304k	M8x1k	M8x1	17	7.4	--	11	4	Steel
0401 1600 106	M8x1k	M10x1	21	6	--	13	6	Steel
0401 1600 906	M10k	M10x1	21	6	--	13	6	Steel
1002 1000 306k	M10x1k	M8x1	16	7.4	--	11	4	Steel
0401 1610 306	M10x1k	M10x1	17.5	6	--	13	6	Steel
0401 1600 206	M10x1k	M10x1	21	6	--	13	6	Steel
0401 1600 213	M10x1k	M10x1	21	6	--	13	6	1.4305
0401 1610 006	M10x1k	M10x1	26	6	--	13	6	Steel
0401 1610 106	M12x1k	M10x1	21	8.5	--	13	6	Steel

All Parts made of steel are zinc coated and yellow chromated.

Extension Piece



It is also possible to connect the lubrication pipes with a extension piece direct.

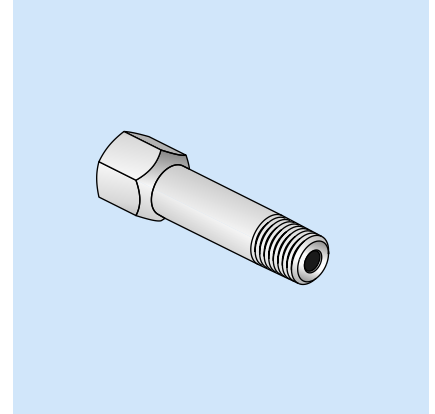
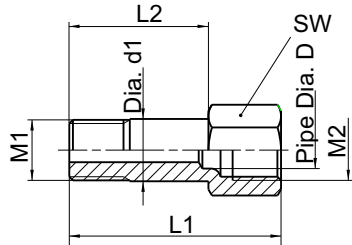


On this part it is not possible to connect a lubrication pipe directly.

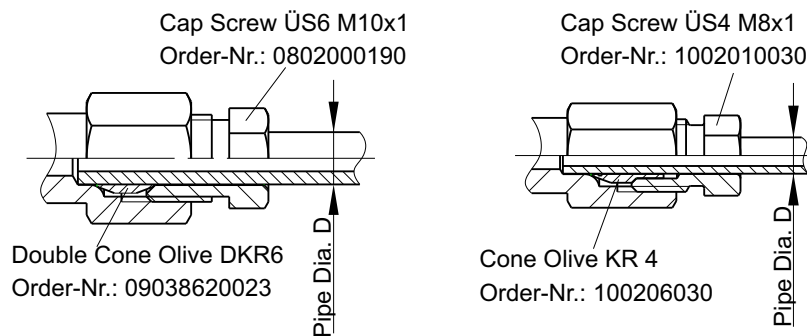
Part-No.	M1	M2	L1	L2	L3	SW	Pipe Dia. D	Material	Pic.
0401 1600 306	R1/8"K	M10x1	21	6	2	13	6	Steel	1
0401 1600 313	R1/8"K	M10x1	21	6	2	13	6	1.4305	1
0401 1604 106	R1/8"K	R1/8"	21	6	2	13	--	Steel	2
0401 1601 406	UNF 1/4"-28	M10x1	24	6	2	13	6	Steel	1
0401 1601 306	UNEF 1/4"-32	M10x1	24	6	4	13	6	Steel	1

All Parts made of steel are zinc coated and yellow chromated.

Extension Piece



It is also possible to connect the lubrication pipes to extension piece direct.

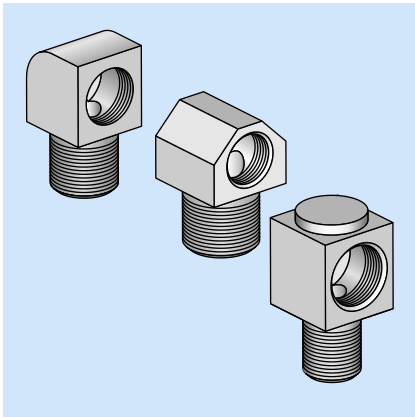


Part-No.	M1	M2	L1	L2	SW	Pipe Dia. D	Dia. d1	Material
0401 1605 806	M6k	M8x1	35	23	10	4	6.3	Steel
0401 1600 806	M8x1k	M8x1	35	23	10	4	8.3	Steel
0401 1603 106	M8x1k	M8x1	50	37.5	10	4	8.3	Steel
0401 1600 706	M10x1k	M10x1	35	23	13	6	10.3	Steel
0401 1610 813	M10x1k	M10x1	35	23	13	6	10.3	1.4305
0401 1600 606	M10x1k	M10x1	50	38	13	6	10.3	Steel
0401 1610 406	M10x1k kurz	M10x1	100	88	13	6	10.3	Steel
0401 1611 506	R1/8" k	M10x1	50	38	13	6	9.9	Steel
0401 1601 206	R1/4" k	M10x1	26	14	14	6	13.2	Steel
0401 1601 213	R1/4" k	M10x1	26	14	14	6	13.2	1.4305
0401 1601 006	R1/4" k	M10x1	35	23	14	6	13.2	Steel
0401 1601 013	R1/4" k	M10x1	35	23	14	6	13.2	1.4305
0401 1601 106	R1/4" k	M10x1	55	43	14	6	13.2	Steel
0401 1601 113	R1/4" k	M10x1	55	43	14	6	13.2	1.4305

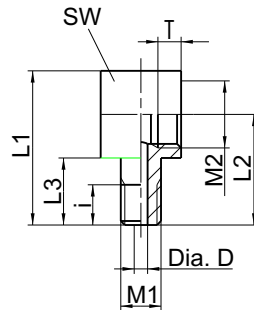
All Parts made of steel are zinc coated and yellow chromated.



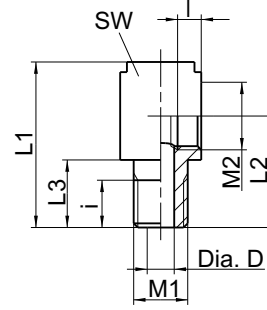
Elbow Connector 90°



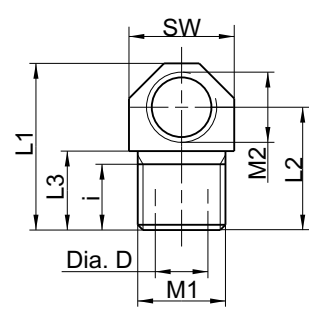
Pic. 1:



Pic. 2:



Pic. 3:

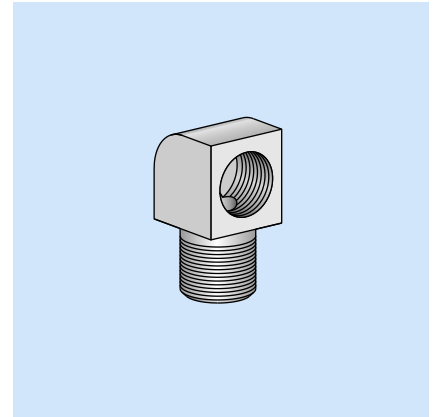
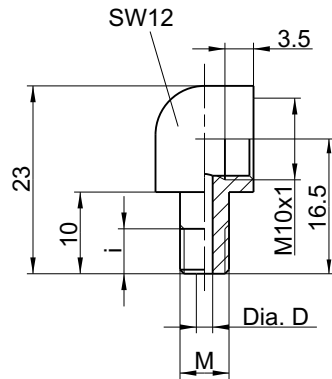


Part-No.	M1	i	M2	T	Dia. D	L1	L2	L3	SW	Material	Pic.
1002 10 010	M6k	6	M10x1	3.5	2	23	16.5	10	12	Steel	1
1002 10 020	M8x1k	7	M10x1	3.5	4	23	16.5	10	12	Steel	1
1002 10 025	M8x1.25k	7	M10x1	3.5	4	23	16.5	10	12	Steel	1
1002 10 106	M8x1k 1:10	7	M10x1	3.5	4	24.5	16.5	10	12	Steel	2
1002 10 120	M10x1k	7.5	M8x1	4.5	6	19	14	9	12	Steel	3
1002 10 030	M10x1k	7	M10x1	3.5	5	23	16.5	10	12	Steel	1
1002 10 041	M10x1k	7	M10x1	3.5	5	25	18.5	10	12	1.4305	1
1002 10 042	M10x1k	7	M10x1	3.5	5	65	58.5	10	12	1.4305	1
1002 10 043	M10x1k	7	M10x1	3.5	5	75	68.5	10	12	1.4305	1
1002 10 105	R1/8" k	10	M10x1	3.5	5	26	19	12	12	Steel	1
1002 10 035	R1/4" k	10	M10x1	3.5	7	26	19	12	14	Steel	1
1002 10 032	1/4"-28UNF	6	M10x1	3.5	2	23	16.5	10	12	Steel	1

All Parts made of steel are zinc coated and yellow chromated.



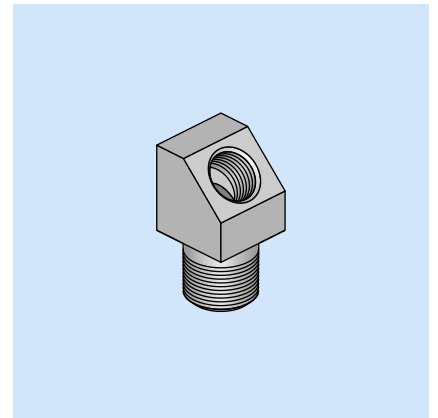
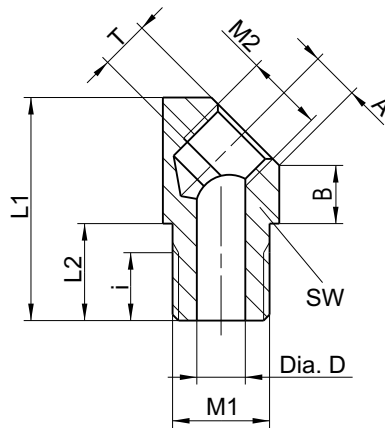
Elbow Connector 90°



Part-No.	M	i	Dia. D	Material
1002 10 073	M6k	6	2	Steel
1002 10 072	M8x1k	7	4	Steel
1002 10 071	M8x1.25k	7	4	Steel
1002 10 070	M10x1k	7	5	Steel

All Parts made of steel are zinc coated and yellow chromated.

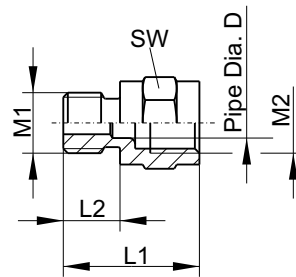
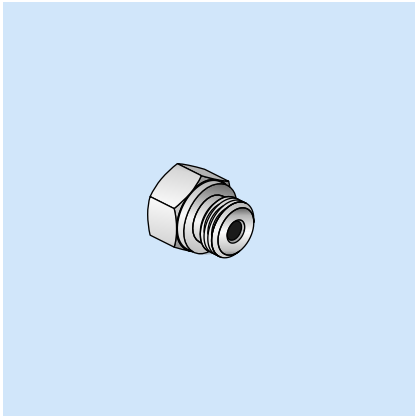
Elbow Connector 45°



Part-No.	M1	i	Dia. D	M2	T	L1	L2	A	B	SW	Material
1002 10 095	M6k	6	2	M8x1	5	23	10	4.95	6	12	Steel
1002 10 085	M8x1k	7	4	M8x1	5	23	10	4.95	6	12	Steel
1002 10 090	M8x1.25k	7	4	M8x1	5	23	10	4.95	6	12	Steel
1002 10 080	M10x1k	7	5	M8x1	5	23	10	4.95	6	12	Steel
0401950007-00	R1/4" k	14.5	7	R1/4" k	7	32.5	14.5	7.1	8	18	Steel
1002 10 098	1/4"-28UNF	6	2	M8x1	5	23	10	4.95	6	12	Steel

All Parts made of steel are zinc coated and yellow chromated.

Connection Parts, straight

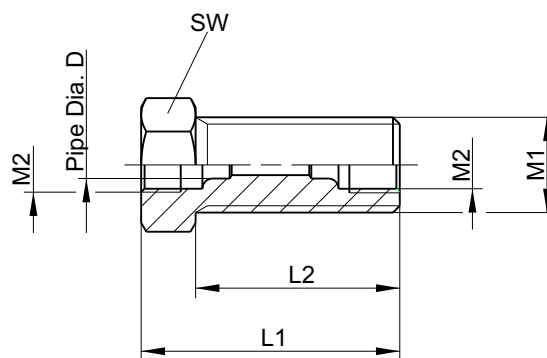
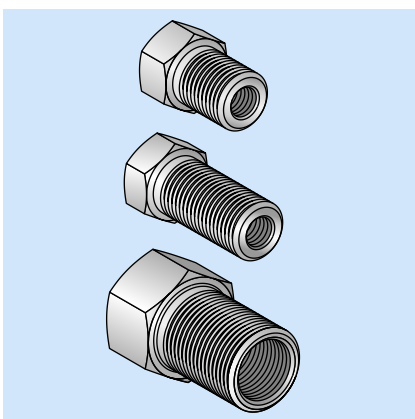


Part-No.	M1	M2	L1	L2	SW	Pipe Dia. D	Material
1002 1000 301	M6	M8x1	20	6.5	11	4	Steel
1002 1000 304	M8x1	M8x1	18	7.5	11	4	Steel
1002 1000 404	M8x1	M10x1	23	7.5	14	6	Steel
1002 1000 306	M10x1	M8x1	18	7.5	14	4	Steel
1002 1000 406	M10x1	M10x1	20.5	7.5	14	6	Steel
1002 1000 410	G1/4"	M10x1	21.5	10	17	6	Steel

All Parts made of steel are zinc coated and yellow chromated.

Straight Bulkhead Coupling

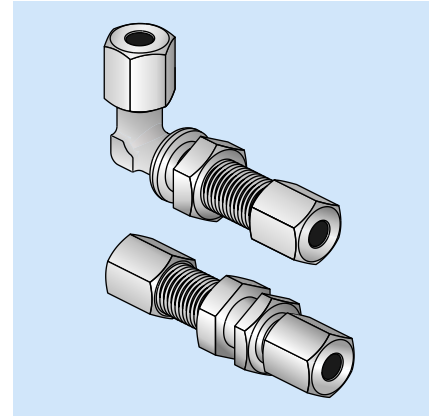
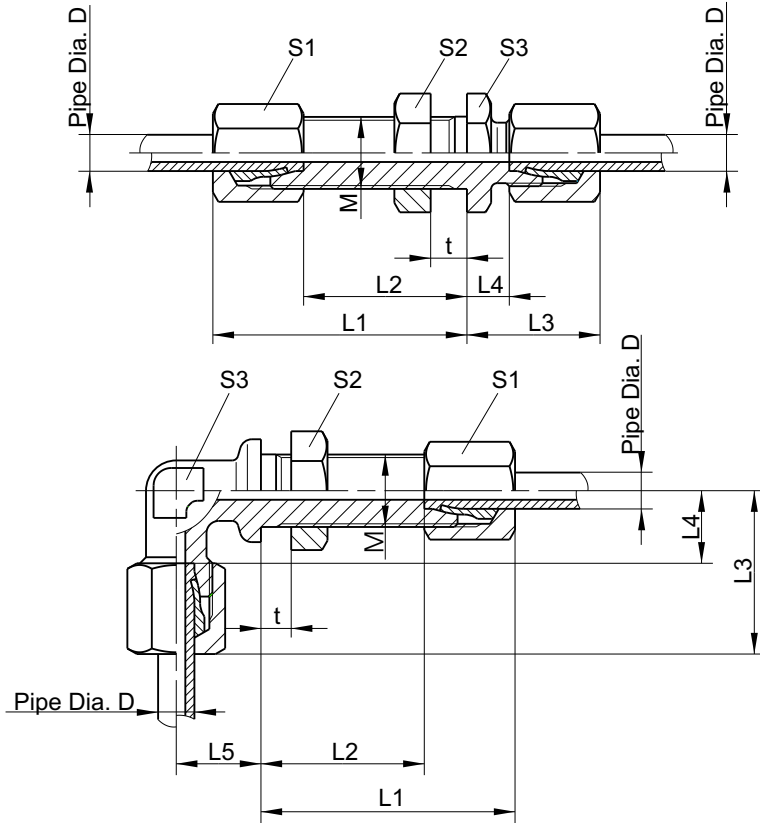
with Inside Threading



Part-No.	M1	M2	L1	L2	SW	Pipe Dia. D	Material
1002 5000 311	M14x1.5	M8x1	27	19	17	4	Steel
1002 5000 311L	M14x1.5	M8x1	38	30	17	4	Steel
1002 5000 411	M14x1.5	M10x1	30	20	17	6	Steel
1002 5000 715	M20x1.5	M16x1.5	42	27	24	10	Steel

All Parts made of steel are zinc coated and yellow chromated.

Bulkhead Couplings



Straight Bulkhead Couplings

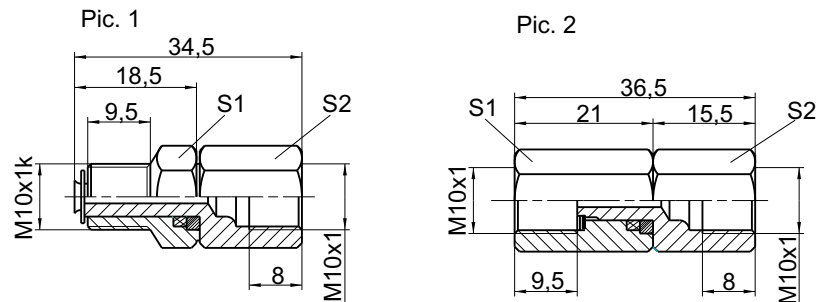
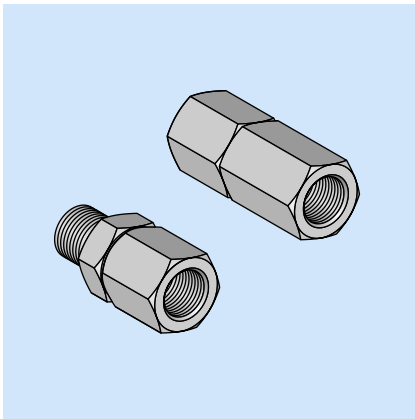
Part-No.	Pipe Dia. D	Construction sort	M	t max.	approx.		approx.		S1	S2	S3	Material
					L1	L2	L3	L4				
0401 4701 006	6	L	M12x1.5	16	42	27	22	7	14	17	17	Steel
0401 4701 013	6	L	M12x1.5	16	42	27	22	7	14	17	17	1.4571
0401 4701 106	8	L	M14x1.5	16	42	27	23	8	17	19	19	Steel
0401 4701 113	8	L	M14x1.5	16	42	27	23	8	17	19	19	1.4571

Angular Bulkhead Coupling

Part-No.	Pipe Dia. D	Construction sort	M	t max.	approx.			L4	L5	S1	S2	S3	Material
					L1	L2	L3 max.						
0401 4721 006	6	L	M12x1.5	16	42	27	27	12	14	14	17	12	Steel
0401 4721 013	6	L	M12x1.5	16	42	27	27	12	14	14	17	12	1.4571
0401 4722 006	6	S	M14x1.5	16	44	29	31	16	17	17	19	12	Steel
0401 4721 106	8	L	M14x1.5	16	42	27	29	14	17	17	19	12	Steel

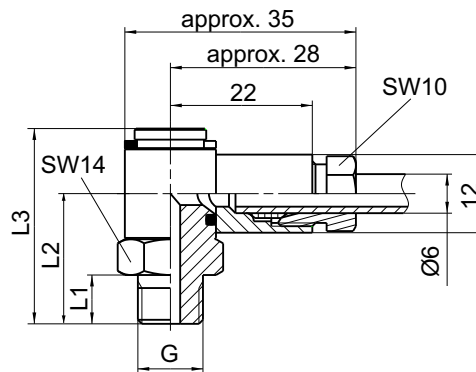
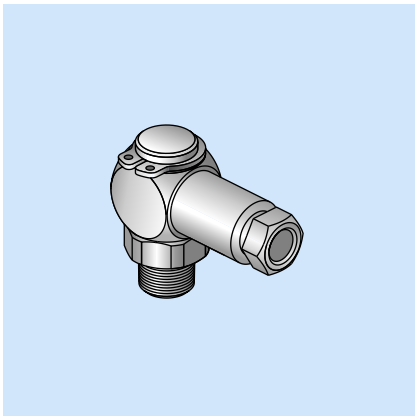
All Parts made of steel are zinc coated and yellow chromated.

Straight Rotary Couplings



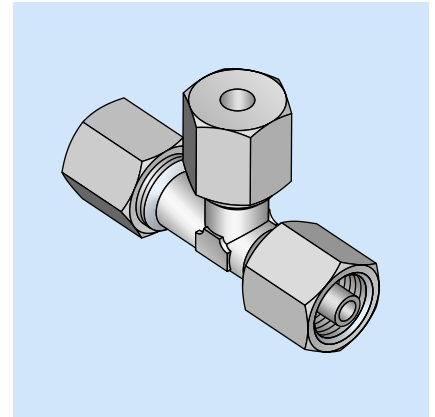
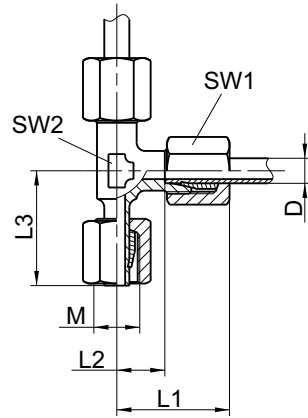
Part-No.	Pic.	S1	S2	Material
0402 020	1	14	14	Brass
0402 042	2	14	14	Brass

Hinges



Part-No.	G	L1	L2	L3	Material
0402 011	M6k	7,5	20	30	Brass
0402 012	M8x1k	7,5	20	30	Brass
0402 013	M10x1k	7,5	20	30	Brass
0402 023	R1/8"k	7,5	20	30	Brass
0402 043	R1/4"k	9	21,5	31,5	Brass
0402 041	1/8-27 NPT	7,5	20	30	Brass

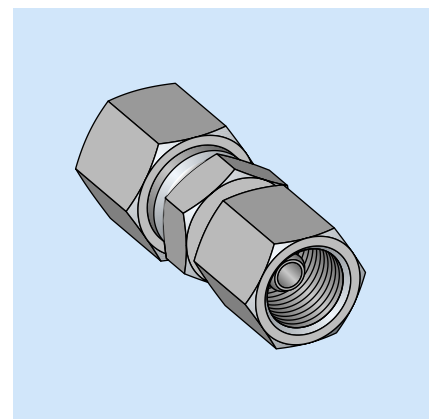
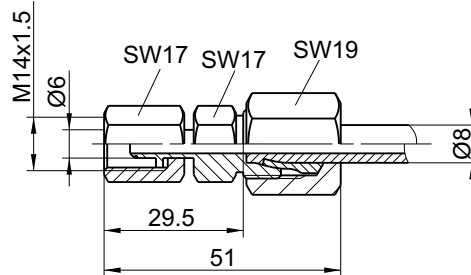
Adjustable L-Couplings



Part-No.	Construction Sort	D	M	approx.			SW1	SW2	Material
				L1	L2	L3			
04015821006	L	6	M12x1.5	27	12	26	14	12	Steel
04015822006	S	6	M14x1.5	31	16	27	17	12	Steel
04015821106	L	8	M14x1.5	29	14	27.5	17	12	Steel
04015822106	S	8	M16x1.5	32	17	27.5	19	14	Steel

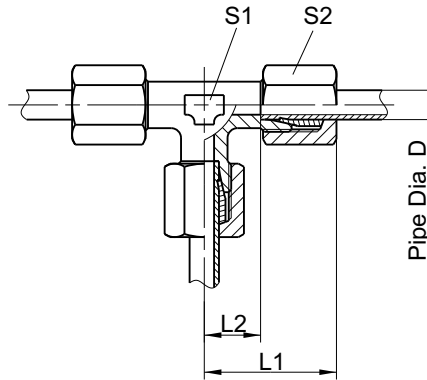
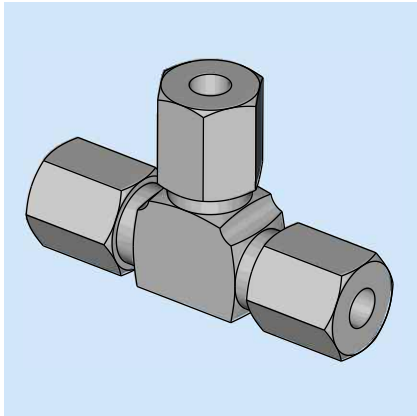
All Parts made of steel are zinc coated and yellow chromated.

Reduction Screw



Part-No.	Construction sort	Material
04060957	S	Steel, zinc coated, yellow chromate

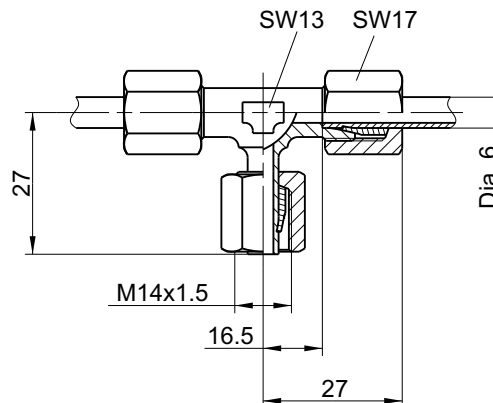
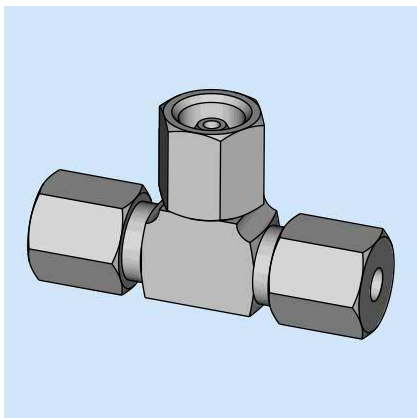
T - Couplings



Part-No.	Pipe Dia. D	Construction sort	approx.				Material
			L1	L2	S1	S2	
0401 3640 306	6	LL	21	9.5	11	12	Steel
0401 3641 006	6	L	27	12	12	14	Steel
0401 3642 006	6	S	31	16	14	17	Steel
0401 3640 406	8	LL	23	11.5	12	14	Steel
0401 3641 106	8	L	29	14	14	17	Steel

All Parts made of steel are zinc coated and yellow chromated.

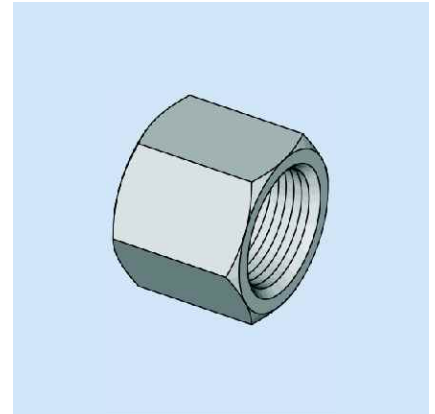
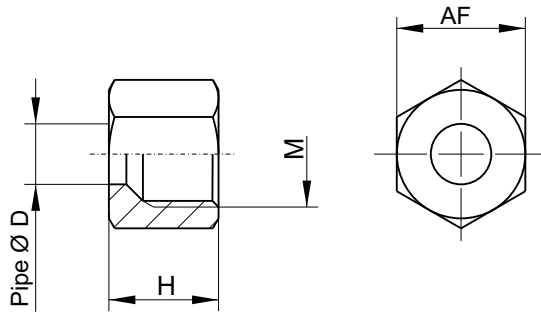
Adjustable T-Couplings



Part-No.	Construction Sort	Material
04015722006	S	Steel, zinc coated, yellow chromate

Union nuts

Dimensions:

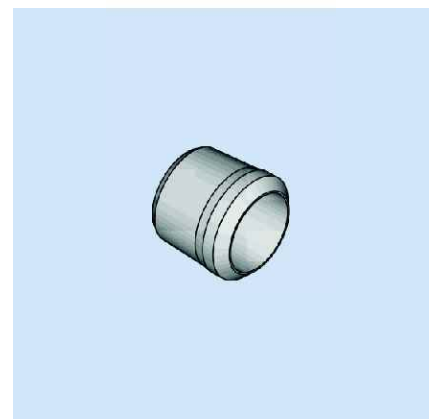
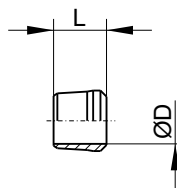


Article-no.	Series	Pipe Ø D	M	H	AF	Material
0403 15001 06	LL	4	M8x1	11	10	steel
0403 15003 06	LL	6	M10x1	11,5	12	steel
0403 15010 06	L	6	M12x1,5	14,5	14	steel
0403 15010 13	L	6	M12x1,5	14,5	14	1.4571
0403 15020 06	S	6	M14x1,5	16,5	17	steel
0403 15004 06	LL	8	M12x1	12	14	steel
0403 15011 06	L	8	M14x1,5	14,5	17	steel
0403 15011 13	L	8	M14x1,5	14,5	17	1.4571
0403 15021 06	S	8	M16x1,5	16,5	19	steel

All parts made of steel are galvanized, yellow chromated.

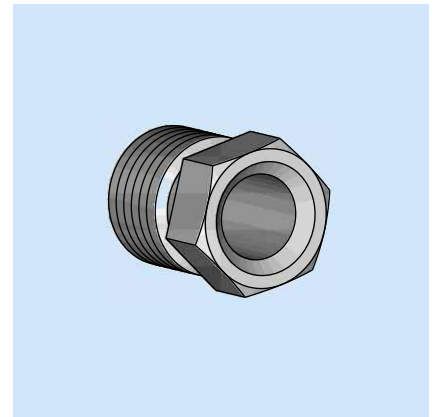
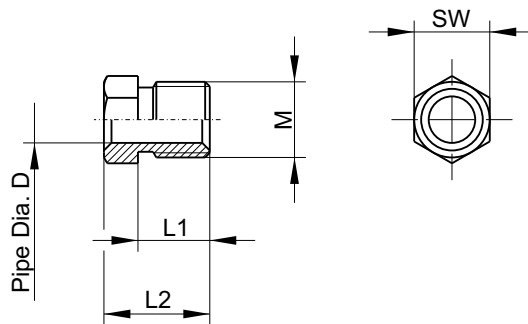
Cutting rings

Dimensions:



Article-no.	for pipe Ø D	Series	L	Material
09038610401111	4	LL	6	steel galvanized
09038610601212	6	LL	7	steel galvanized
09 03861 06 03211	6	L / S	9,5	steel galvanized
090038610602224	6	L / S	9,5	1.4571
090038610801112	8	LL	7	steel galvanized
09 03861 08 03211	8	L / S	9,5	steel galvanized
09003861080224	8	L / S	9,5	1.4571

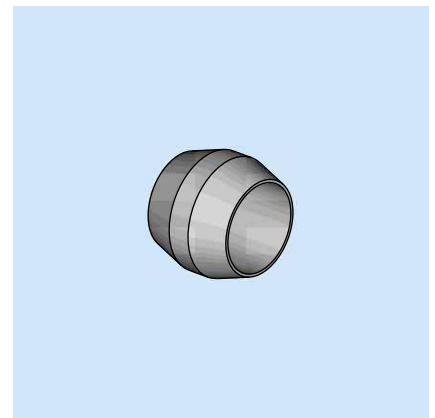
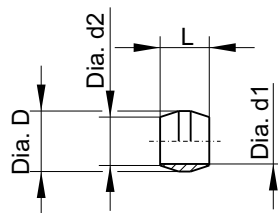
Cap Screw



Part-No.	Pipe Dia. D	M	L1	L2	SW	Material
0802 000 311	4	M10x1	8.5	12	10	Steel
0802 000 190	6	M10x1	9.5	14	10	Steel
F0060/19-08	6	M10x1	9.5	14	10	Stainless steel

All Parts made of Steel are Zinc coated and yellow chromated.

Double Cone Olive

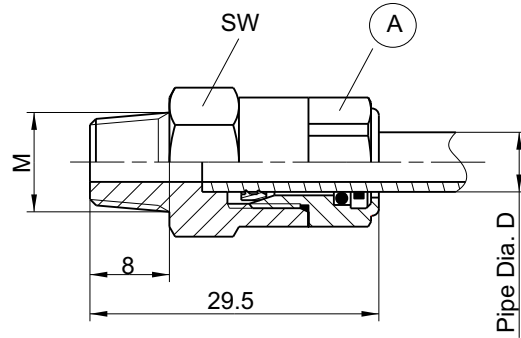
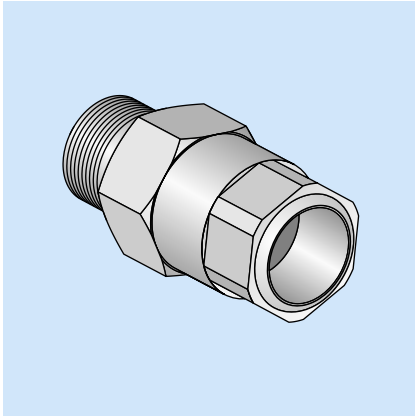


Part-No.	for Pipe Dia.	Dia. D	L	Dia. d1	Dia. d2	Material
09 03862 0011	4	6	5.5	4	4,3	Steel
09 03862 0013	4	6	5.5	4	4.3	Brass
09 03862 0015	4	6	5.5	4	4.3	Stainless steel
09 03862 0021	6	8	6.5	6	6.4	Steel
09 03862 0023	6	8	6.5	6	6.4	Brass
09 03862 0026	6	8	6.5	6	6.4	Stainless steel
09 03862 0031	8	10	6.5	8	8.5	Steel
09 03862 0033	8	10	6.5	8	8.5	Brass

Subject to alterations! © BEKA 2010 All rights reserved!

Straight Plug-in Couplings

Type BEKA



Plug-in connection
for Pipe Dia. 4
SW 12
Order-No.: 0406 0851



Plug-in connection
for Pipe Dia. 6
SW 12
Order-No.: 0406 0850

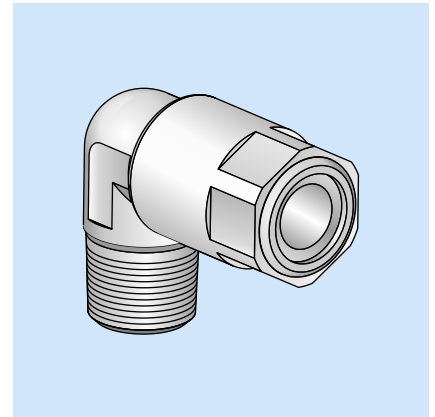
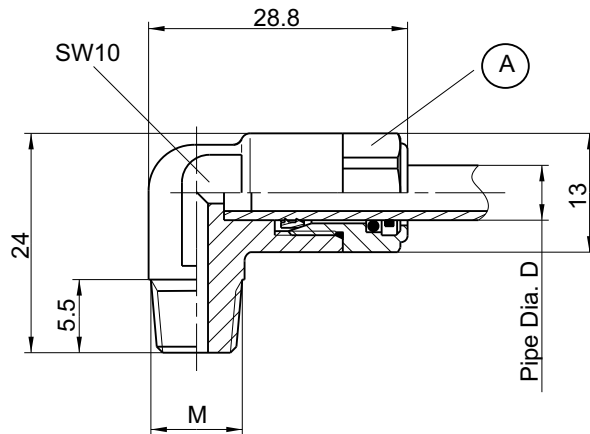
Part-No.	M	Pipe Dia. D	SW	Material
0406 0874	M6k	4	11	Steel
0406 0873	M8x1k	4	11	Steel
0406 0872	M10x1k	4	11	Steel
0406 0875	R1/8"k	4	11	Steel
0406 0878	M6k	6	13	Steel
0406 0877	M8x1k	6	13	Steel
0406 0876	M10x1k	6	13	Steel
0406 0879	R1/8"k	6	13	Steel

All Parts made of steel are zinc coated and yellow chromated.



Angular Plug-in Couplings

Type BEKA



(A)

Plug-in connection
for Pipe Dia. 4
SW 12
Order-No.: 0406 0851

(A)

Plug-in connection
for Pipe Dia. 6
SW 12
Order-No.: 0406 0850

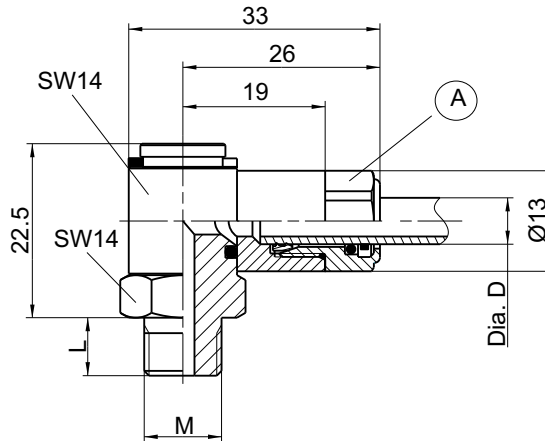
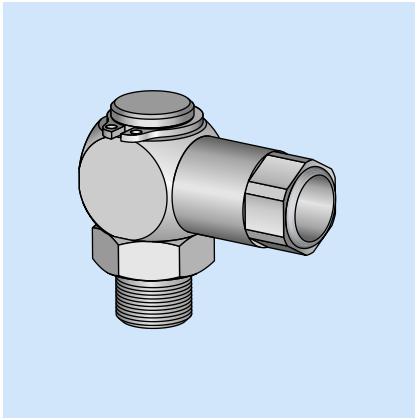
Part-No.	M	Pipe Dia. D	Material
0406 0866	M6k	4	Brass
0406 0865	M8x1k	4	Brass
0406 0864	M10x1k	4	Brass
0406 0867	R1/8"k	4	Brass
0406 0870	M6k	6	Brass
0406 0869	M8x1k	6	Brass
0406 0868	M10x1k	6	Brass
0406 0871	R1/8"k	6	Brass



Hinge

with plug-in connection

Type BEKA



(A)

Plug-in connection
for Pipe Dia. 4
SW 12
Order-No.: 0406 0851

(A)

Plug-in connection
for Pipe Dia. 6
SW 12
Order-No.: 0406 0850

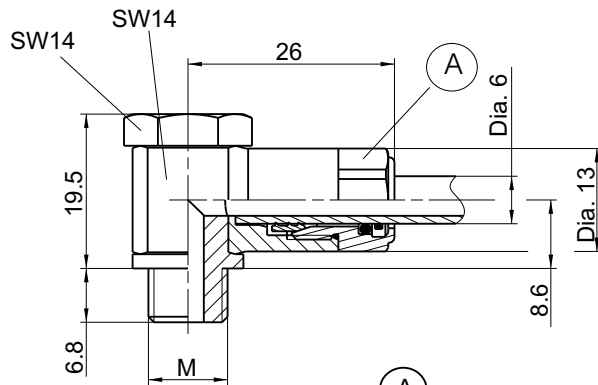
Part-No.	M	L	Dia. D	Material
0402 050	M6k	7.5	4	Brass
0402 051	M8x1k	7.5	4	Brass
0402 052	M10x1k	7.5	4	Brass
0402 054	R1/8"k	7.5	4	Brass
0402 053	R1/4"k	9	4	Brass
0402 036	M6k	7.5	6	Brass
0402 037	M8x1k	7.5	6	Brass
0402 038	M10x1k	7.5	6	Brass
0402 040	R1/8"k	7.5	6	Brass
0402 039	R1/4"k	9	6	Brass
0402 045	1/8-27 NPT	7.5	6	Brass



Banjo Assembly

with Plug-in Connection

Type BEKA



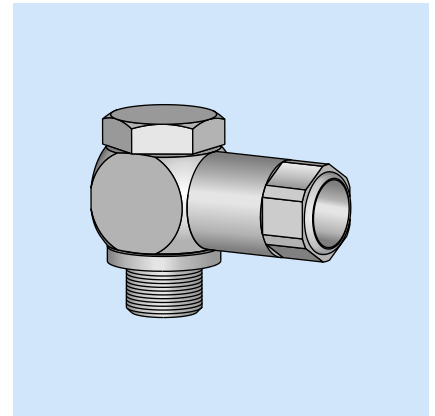
A

Plug-in Connection

for Pipe Dia. 6

SW 12

Order-No.: 0406 0850



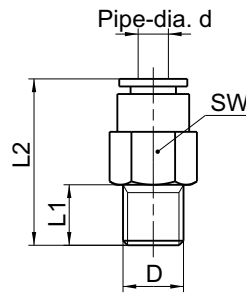
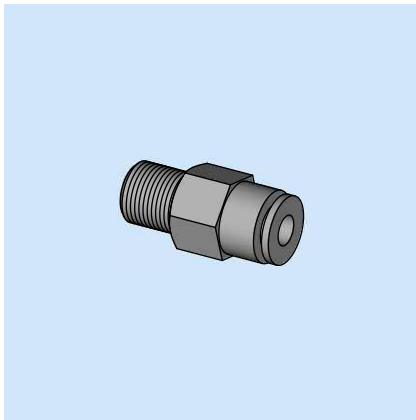
Part-No.	M	Material
0401950029-00	G1/8"	Steel, zinc coated,
0401950029-01	M10x1	yellow chromate



Straight plug-in couplings

Type HP

soluble without tool



Part-No.	Pipe-dia. d	D	L1	L2	SW
04062321	4	M8x1k	8	22	10
04062323	4	M10x1k	8	21	11
04062325	4	M6k	8	25	10
04062347	4	R1/8" k	7.5	21	10
04062322	6	M8x1k	8	28	12
04062324	6	M10x1k	8	24	12
04062326	6	M6k	8	28	12
04062348	6	R1/8" k	7.5	24	12
04062349	6	R1/4" k	11	26	14

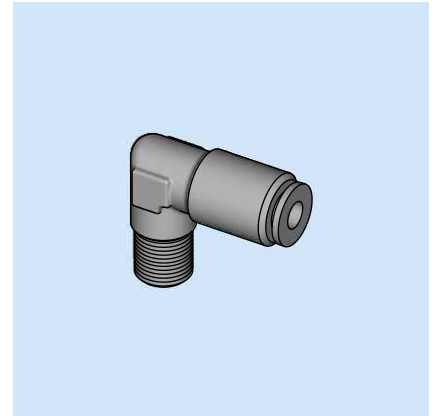
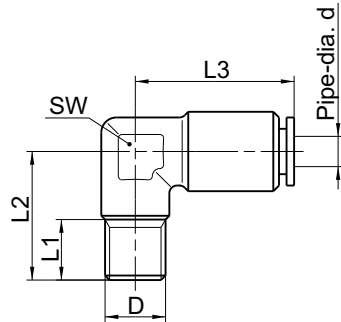
Material: Brass, nickel-plated; Pressure range: max. 150 bar; Temperature range: -20°C to +70°C



Angular plug-in coupling

Type HP

soluble without tool



Part-No.	Pipe-dia. d	D	L1	L2	L3	SW
04062327	4	R1/8"k	7.5	17	21	10
04062329	4	M6k	6	17	21	10
04062331	4	M8x1k	8	17	21	10
04062333	4	M10x1k	8	17	21	10
04062328	6	R1/8"k	7.5	20	22	14
04062330	6	M6k	6	20	22	14
04062332	6	M8x1k	8	20	22	14
04062362	6	M8x1.25k	8	20	22	14
04062334	6	M10x1k	8	20	22	14

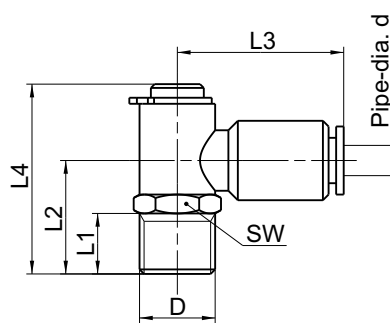
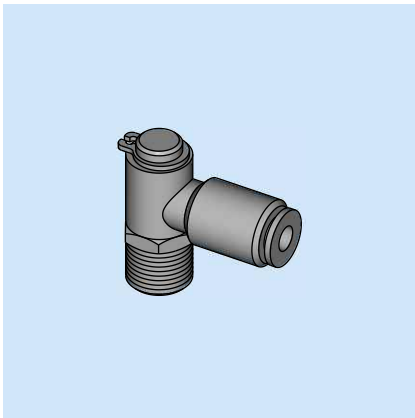
Material: Brass, nickel-plated; Pressure range: max. 150 bar;
Temperature range: -20°C to +70°C



Hinge plug-in coupling

Type HP

soluble without tool

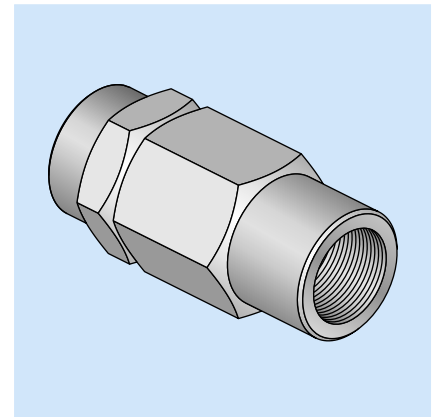
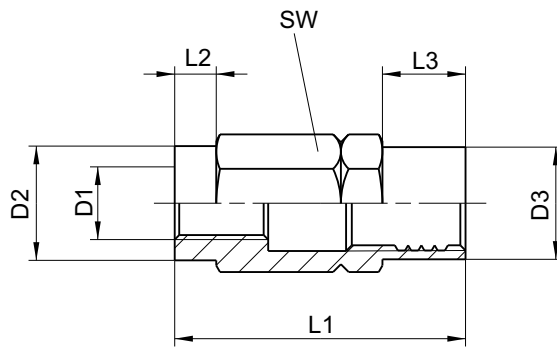


Part-No.	Pipe-dia. d	D	L1	L2	L3	L4	SW
04062335	4	R1/8"k	7.5	14.5	22	24.5	11
04062338	4	M6k	8	15	22	24	11
04062340	4	M8x1k	8	15	22	24	11
04062342	4	M10x1k	8	15	22	25	11
04062336	6	R1/8"k	7.5	14.5	24	24.5	11
04062339	6	M6k	8	15	24	24	11
04062341	6	M8x1k	8	15	24	24	11
04062363	6	M8x1.25k	8	15	24	24	11
04062343	6	M10x1k	8	15	24	25	11
04062337	6	R1/4"k	11	20.5	24	28	14

Material: Brass, nickel-plated; Pressure range: max. 150 bar; Temperature range: -20°C to +70°C



Threaded ferrule



Part-No.	D1	D2	D3	L1	L2	L3	SW	for HP-Hose	Material
1001 21 200	M7x0.75	11	10.8	28	4	8	12	8.6x4	Steel
1001 21 197	M7x0.75	10	11	28	2	8	12	8.6x4	1.4305
1001 21 305	M9x1	14	16	35.8	4	9	17	11.2x6,5	Steel
1001 21 347	M9x1	14	16	35.8	4	9	17	11.2x6,5	1.4305

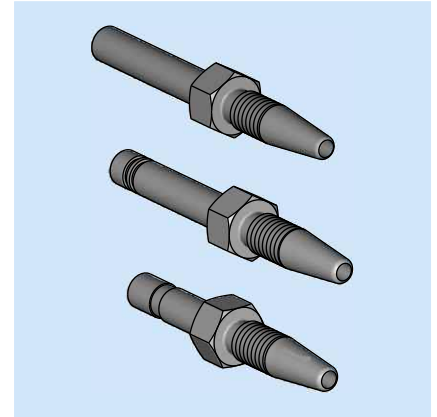
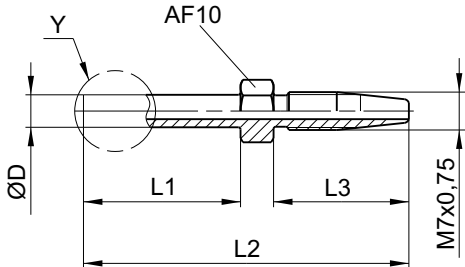
All parts made of steel are zinc coated and yellow chromated.



Straight pipe socket,

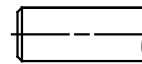
for the assembly of a high pressure hose Ø8,6x4

Dimensions:



Article-no.:	øD	L1	L2	Detail	M	steel, yellow chromatinized	Stainless steel
100121171	8	22	53	Y	M7x0,75	X	
100121173	8	30	61	Y	M7x0,75	X	
100121186	6	20	51,1	Y	M7x0,75	X	
100121189	6	18	49,1	Y	M7x0,75	X	
100121190	6	24	55,1	Y	M7x0,75	X	
100121191	6	30	61,1	Y2	M7x0,75	X	
100121196	6	30	61,1	Y	M7x0,75		1.4305
100121198	6	30	61,1	Y	M7x0,75		1.4571
100121201	6	30	61,1	Y	M7x0,75	X	
100121210	6	21	52,1	Y3	M7x0,75	X	
100121218	5	30	64	Y	M7x0,75	X	
100121219	10	30	64	Y	M7x0,75	X	
100121220	10	30	64	Y	M7x0,75		1.4305
100121252	6	30	61,1	Y1	M7x0,75	X	
100121253	6	30	61,1	Y1	M7x0,75		1.4305
100121282	6	24	55,1	Y1	M7x0,75	X	
100121301	8	22	67,3	Y	M9x1	X	
100121380	6	18	49,1	Y	M7x0,75		1.4305
100121382	6	18	49,1	Y2	M7x0,75	X	
100121385	6	32,7	45,1	Y2	M7x0,75	X	
100121386	6	38	59	Y2	M7x0,75	X	
100121387	6	50	59	Y2	M7x0,75	X	

Y



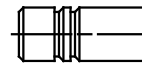
Version for cutting ring-/olive

Y1



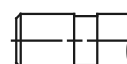
Version for BEKA-plug-type connection detachable without tools (HP-version)

Y2



Version for BEKA-plug-type connection detachable with tools

Y3

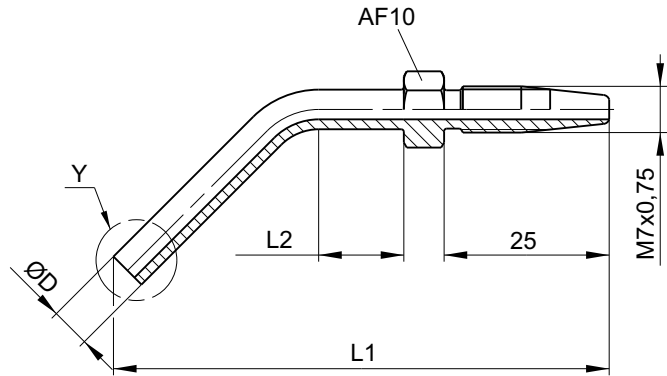
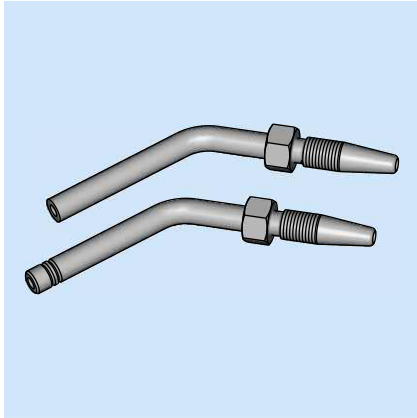


Version for plug-type connection Camozzi/Lincoln
Version detachable without tool

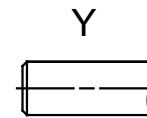


Insert for Ferrule, 45° bent

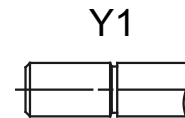
to Mounting a High Pressure Hose Dia. 8.6 x 4



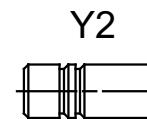
Article number	øD	L1	L2	Detail	M	Steel, yellow chromated	Stainless steel
100121175	8	68,5	13	Y	M7x0,75	X	
100121177	8	76,5	13	Y	M7x0,75	X	
100121187	6	79,1	28,4	Y	M7x0,75		1.4305
100121206	6	79,1	28,4	Y	M7x0,75	X	
100121215	6	93,2	43,3	Y	M7x0,75	X	
100121227	6	68,3	18,5	Y	M7x0,75	X	
100121254	6	79,1	28,4	Y1	M7x0,75	X	
100121383	6	79,1	28,4	Y2	M7x0,75	X	



Version for cutting ring-/olive



Version for BEKA-plug-type connection detachable without tools (HP-version)

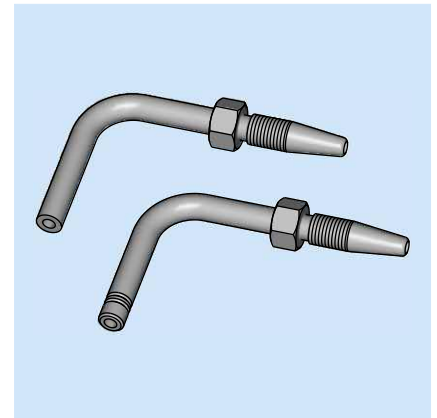
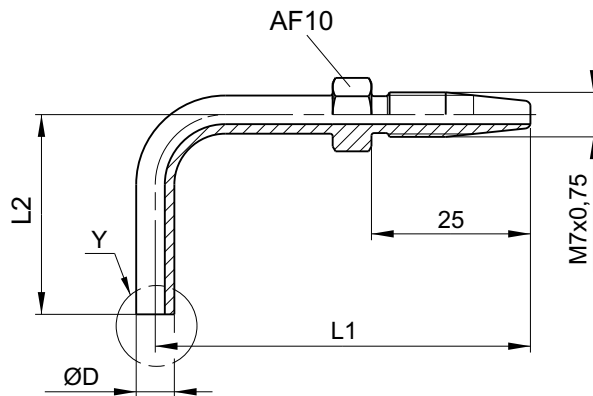


Version for BEKA-plug-type connection detachable with tools

All parts made of steel are galvanized, yellow chromated.

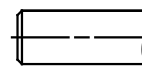
Insert for Ferrule, 90° bent

to Mounting a High Pressure Hose Dia. 8.6 x 4



Article number	øD	L1	L2	Detail	M	Steel, yellow chromated	Stainless steel
100121179	8	55	30	Y	M7x0,75	X	
100121181	8	55	50	Y	M7x0,75	X	
100121202	6	59	38	Y	M7x0,75	X	
100121203	6	59	50	Y	M7x0,75	X	
100121208	6	45,1	20,7	Y	M7x0,75	X	
100121209	6	45,1	32,7	Y	M7x0,75	X	
100121228	6	45,1	32,7	Y1	M7x0,75	X	
100121257	6	59	38	Y1	M7x0,75	X	
100121283	6	59	50	Y1	M7x0,75	X	
100121376	6	59	38	Y	M7x0,75		1.4305
100121377	6	59	50	Y	M7x0,75		1.4305
100121378	6	45,1	20,7	Y	M7x0,75		1.4305
100121379	6	45,1	32,7	Y	M7x0,75		1.4305

Y



Version for cutting ring-/olive

Y1



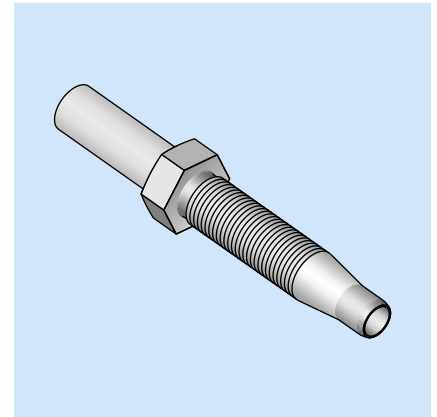
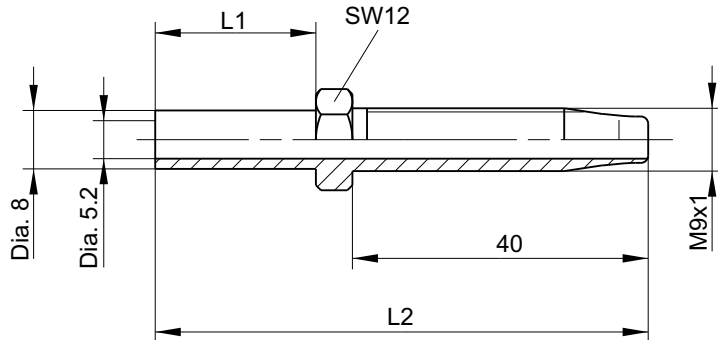
Version for BEKA-plug-type connection detachable without tools (HP-version)

All parts made of steel are galvanized, yellow chromated.



Insert for Ferrule, straight

for Couplings with Cap Screw and Cutting Olive to Mounting a High Pressure Hose Dia. 11.2 x 6.5

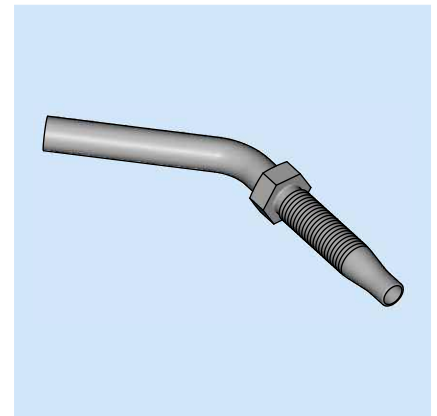
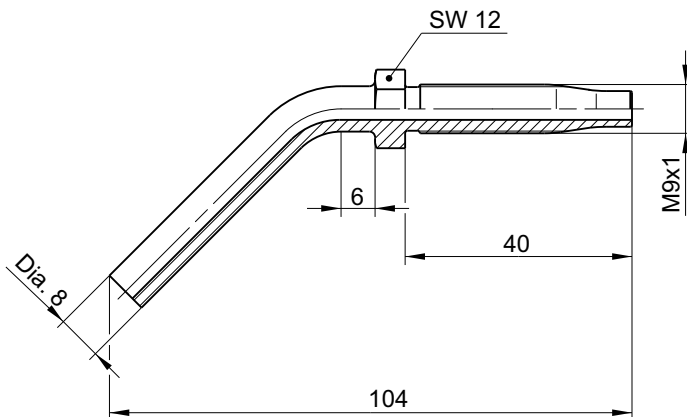


Part-No.	L1	L2	Material
1001 21 301	22	67.3	Steel
1001 21 348	22	67.3	1.4305
1001 21 161	42	87.3	Steel

All Parts made of steel are zinc coated and yellow chromated.

Insert for Ferrule, 45° bent

for Couplings with Cap Screw and Cutting Olive to Mounting a High Pressure Hose Dia. 11.2 x 6.5



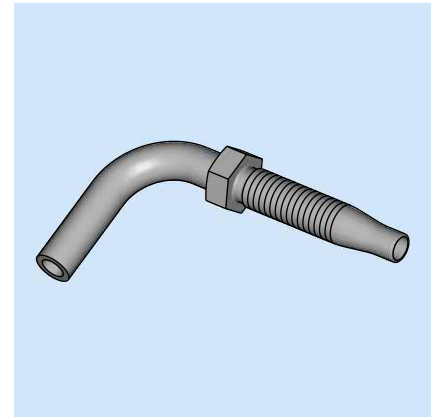
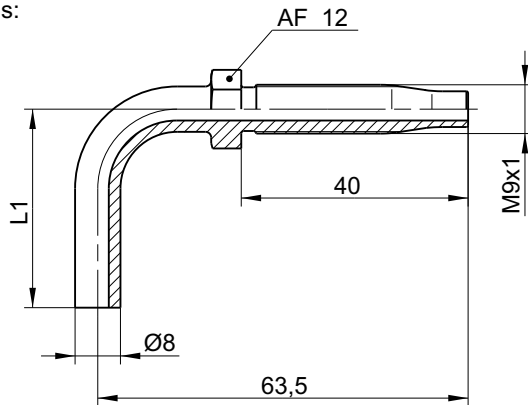
Part-No.	Material
1001 21 163	Steel
1001 21 164	1.4305

All Parts made of steel are zinc coated and yellow chromated.

Pipe socket bent by 90°

for fittings with union screws and cutting rings, for the assembly of high pressure hose Ø11,2x6,5

Dimensions:

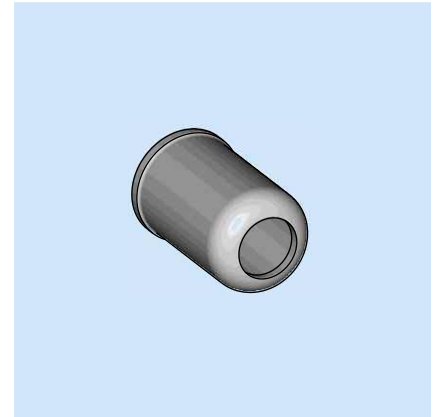
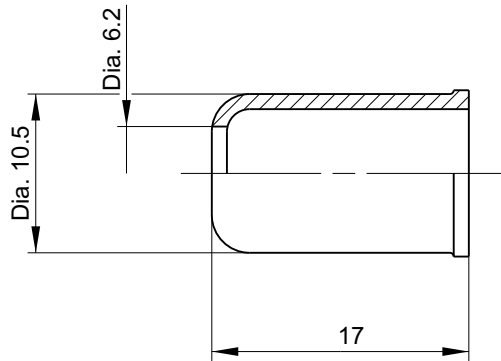


Article-no.	L1	Material
1001 21 165	35	steel
1001 21 166	35	1.4305
1001 21 167	55	steel
1001 21 168	55	1.4305
1001 21 169	75	steel
1001 21 170	75	1.4305

All parts made of steel are galvanized, yellow chromated.

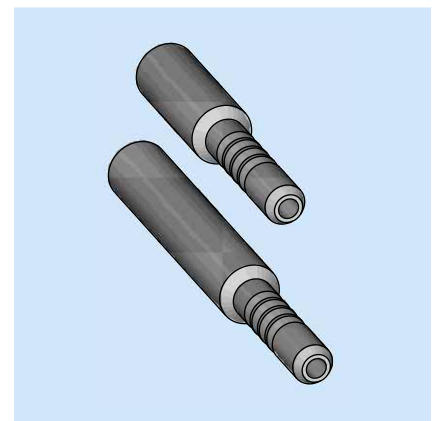
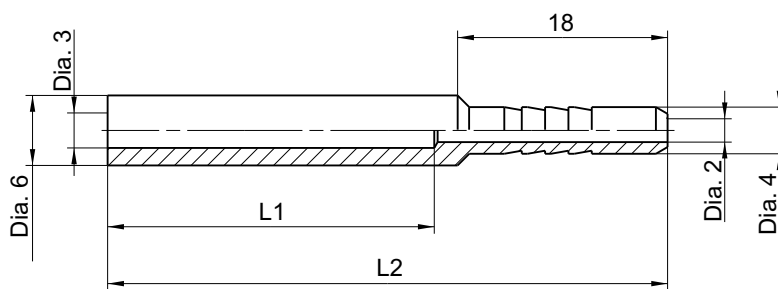


Ferrule DN4



Part-No.	Material
100121204	Steel zinc coated, yellow chromated

Insert for Ferrule DN 4

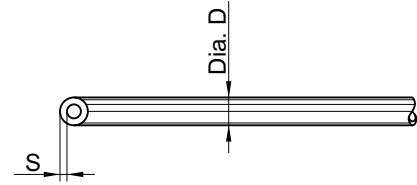
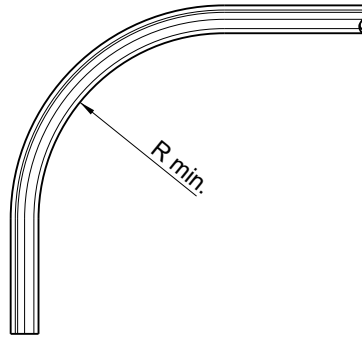
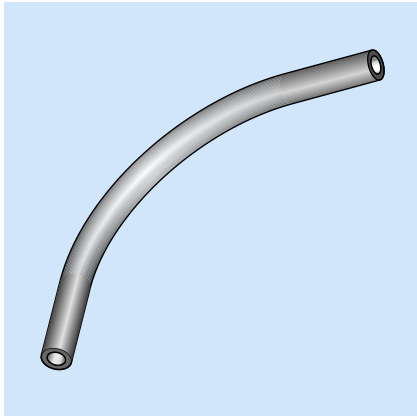


Part-No.	L1	L2	Material
FWZ02392-00	28	48	Steel
FWZ02392-01	13	33	Steel

All Parts made of steel are zinc coated and yellow chromated.

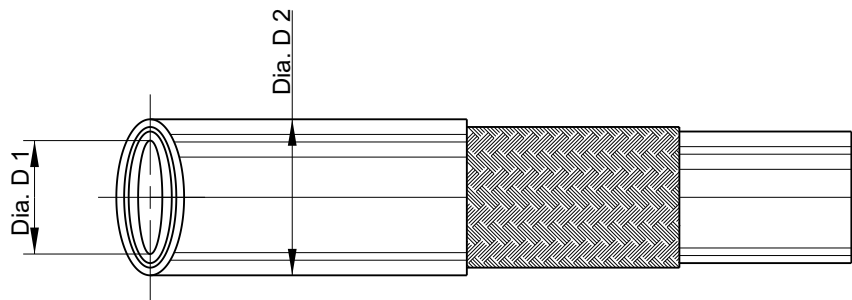
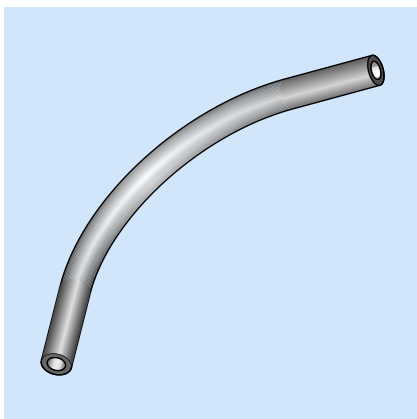


Polyamide tube



Part-No.	Dia. D	S	min. bending radius R	Type	Viscous oil filled	Material
1001 20 075	4	0.85	40	hard	with	Polyamide
1001 20 040	4	0.85	40	soft	with	Polyamide
1001 20 039	4	0.85	40	hard	without	Polyamide
1001 20 041	4	0.85	40	soft	without	Polyamide
1001 20 100	6	1.5	40	hard	with	Polyamide
1001 20 101	6	1.5	40	hard	without	Polyamide

High Pressure Hose

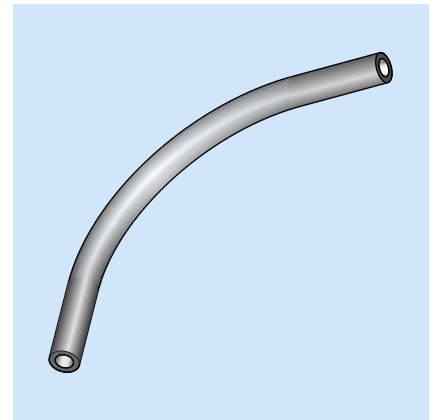
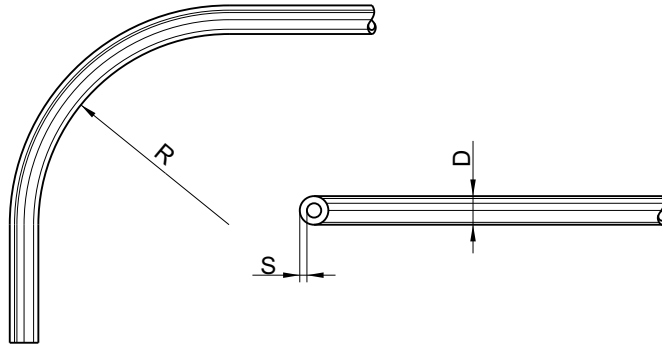


Part-No.	Dia. D 1	Dia. D 2	Type	Grease filled	Material
1001 20 200	4	8.6	straight	with	Plastic / Synthetic Net
1001 20 205	4	8.6	spiral	with	Plastic / Synthetic Net
1001 20 201	4	8.6	straight	without	Plastic / Synthetic Net
1001 20 206	4	8.6	spiral	without	Plastic / Synthetic Net
1001 20 265	6.5	11.2	straight	with	Plastic / Synthetic Net
1001 20 266	6.5	11.2	straight	without	Plastic / Synthetic Net

Subject to alterations! © BEKA 2010 All rights reserved!

Steel Pipe

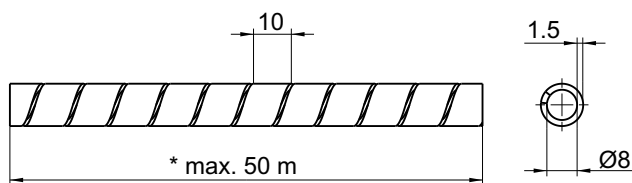
DIN 2391, St35



Part-No.	D	S	min. bending radius R	Material
0612 020 002	4	0.7	5	Steel zinc coated
0612 020 001	6	1	11	Steel zinc coated
0612 020 017	8	1	15	Steel zinc coated

Spiral Protection

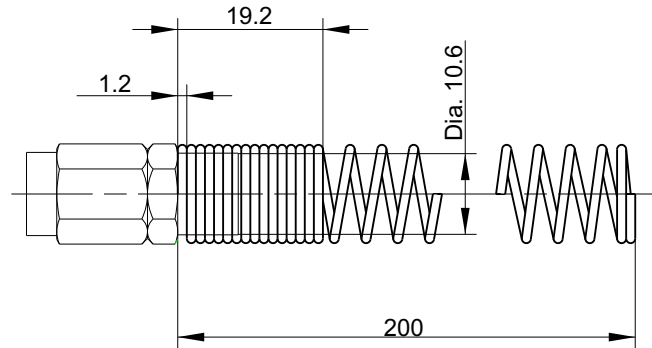
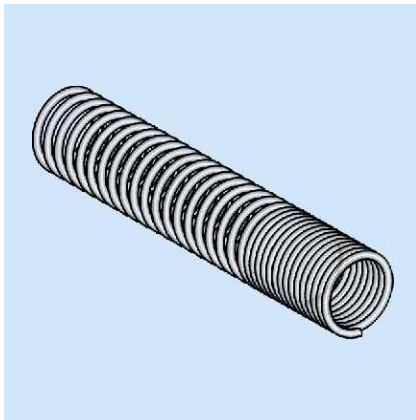
* =Indicate Length at order!



Part-No.	Material
100121005	Polyethylene Color black

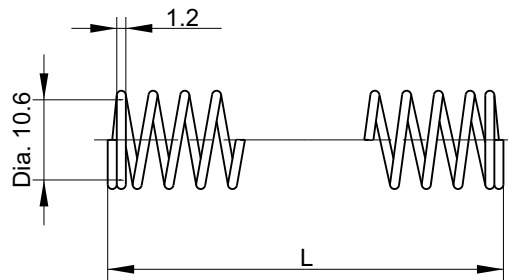


Bent Protection Spiral



Part-No.	Material
100121002	Steel zinc coated yellow chromate

Bent Protection Spiral

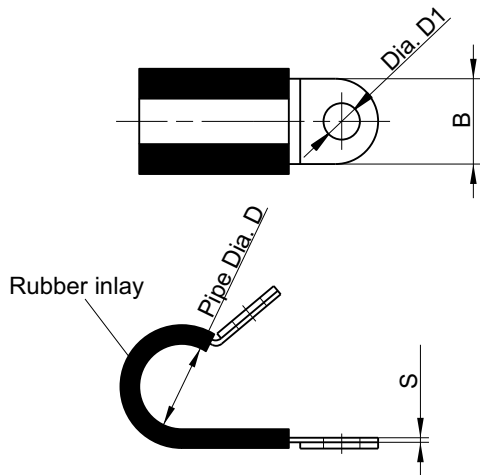


Part-No.	L (mm)	Material
1001 21 004	5000	1.4310
1001 21 040	2000	1.4310
1001 21 041	1300	1.4310
1001 21 042	750	1.4310

Subject to alterations! © BEKA 2010 All rights reserved!



Rubber lined Pipe Clamp



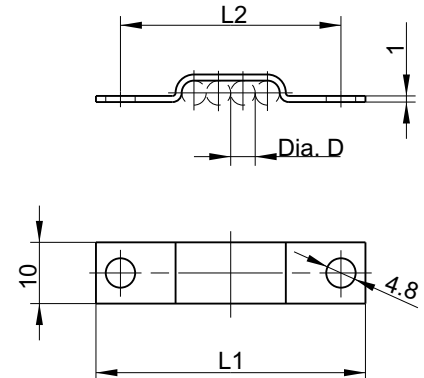
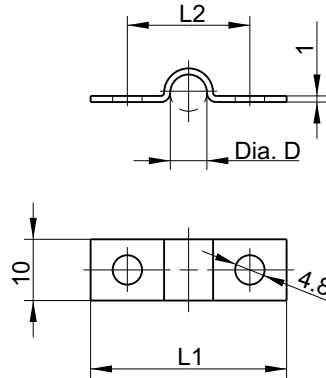
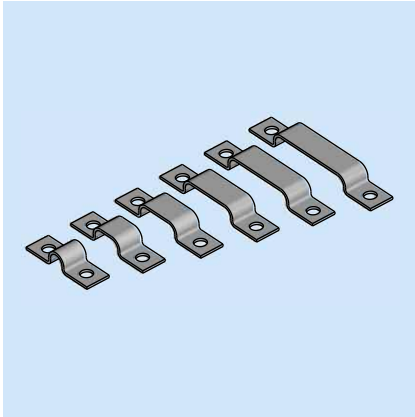
Part-No.	B	Pipe Dia. D	S	Dia. D1	Material
1001 500 10	12	6	0.5	5.3	Steel
1001 500 20	12	9	0.5	5.3	Steel
1001 500 30	12	12	0.5	5.3	Steel
1001 500 40	12	15	0.5	5.3	Steel
1001 500 60	12	17	0.5	5.3	Steel
1001 500 65	12	18	0.5	5.3	Steel
1001 500 50	12	20	0.5	5.3	Steel
1003 050 019	15	6	0.6	6.4	Steel
1003 050 006	15	9	0.6	6.4	Steel
1003 050 022	15	10	0.6	6.4	Steel
1003 050 012	15	12	0.6	6.4	Steel
1003 050 023	15	15	0.8	6.4	Steel
1003 050 003	15	17	0.8	6.4	Steel
1003 050 013	15	18	0.8	6.4	Steel
1003 050 032	15	19	0.8	6.4	Steel
1003 050 004	15	20	0.8	6.4	Steel
1003 050 014	15	22	0.8	6.4	Steel
1003 050 016	15	25	0.8	6.4	Steel

All Parts made of Steel are Zinc coated.



Pipe Clamps

Duplex-fastening, at DIN 72573



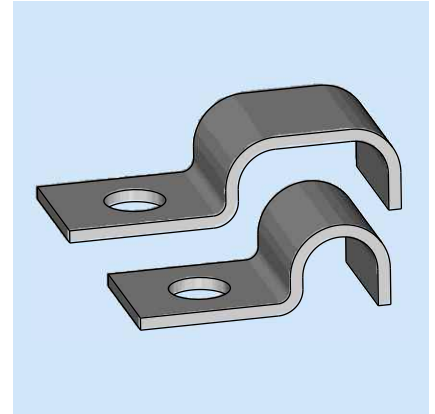
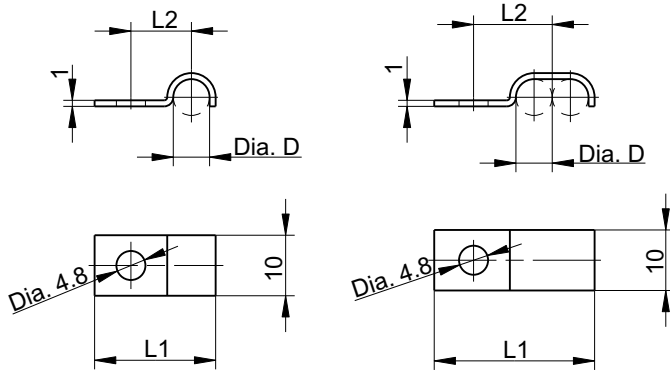
Part-No.	Dia. D	Number of pipes	L1	L2	Material
097 257 300 411	4	1	29	17	Steel
097 257 300 412	4	2	33	21	Steel
097 257 300 413	4	3	39	27	Steel
097 257 300 414	4	4	44	32	Steel
097 257 300 415	4	5	48	36	Steel
097 257 300 416	4	6	52	40	Steel
097 257 300 111	6	1	32	20	Steel
097 257 300 112	6	2	38	26	Steel
097 257 300 113	6	3	45	33	Steel
097 257 300 114	6	4	51	39	Steel
097 257 300 115	6	5	57	45	Steel
097 257 300 116	6	6	64	52	Steel
097 257 300 211	8	1	34	22	Steel
097 257 300 212	8	2	42	30	Steel
097 257 300 213	8	3	51	39	Steel
097 257 300 214	8	4	59	47	Steel
097 257 300 215	8	5	68	56	Steel
097 257 300 216	8	6	76	64	Steel
097 257 300 511	10	1	34	22	Steel
097 257 300 512	10	2	44	32	Steel
097 257 300 513	10	3	55	43	Steel
097 257 300 514	10	4	67	55	Steel
097 257 300 515	10	5	77	65	Steel
097 257 300 516	10	6	90	78	Steel

All Parts made of Steel are Zinc coated.



Pipe Clamps

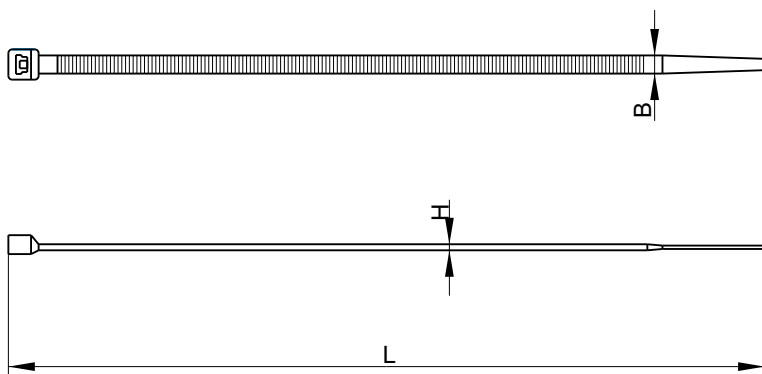
One-side-fastening, at DIN 72571



Part-No.	Dia. D	Number of pipes	L1	L2	Material
097 257 100 111	4	1	18	9	Steel
097 257 100 211	6	1	20	10	Steel
097 257 100 311	8	1	22	11	Steel
097 257 100 411	10	1	23	11	Steel
097 257 100 112	4	2	22.5	11	Steel
097 257 100 212	6	2	26.5	13	Steel
097 257 100 312	8	2	30.5	15	Steel
097 257 100 412	10	2	33.5	16	Steel

All Parts of steel are Zinc coated.

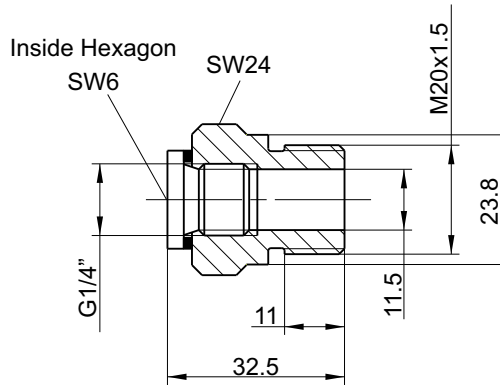
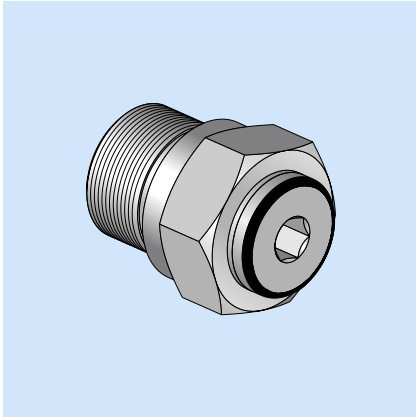
Nylon Tie Strap



Part-No.	L	B	H	Material
100 121 517	200	4.8	1.6	Plastic
100 121 012	200	3.6	1	Plastic
100 121 520	360	4.8	1.6	Plastic
100 121 518	365	7.8	1.8	Plastic
100 121 016	450	7.8	1.8	Plastic

Subject to alterations! © BEKA 2010 All rights reserved!

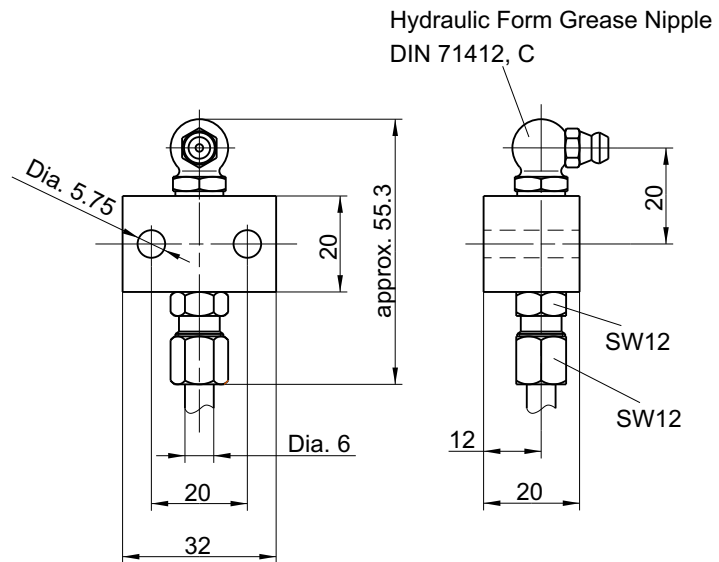
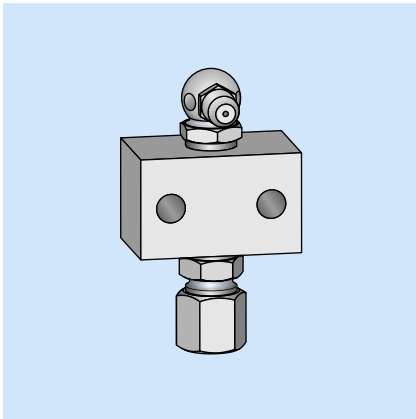
Nipple Modification Kit



Part-No.	Material
21590010020	Steel zinc coated yellow chromate

Nipple Block One-Outlet

at AZ-1713

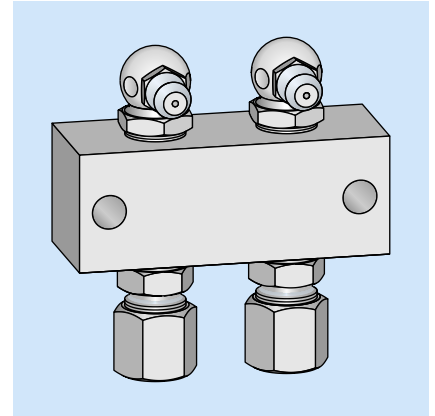
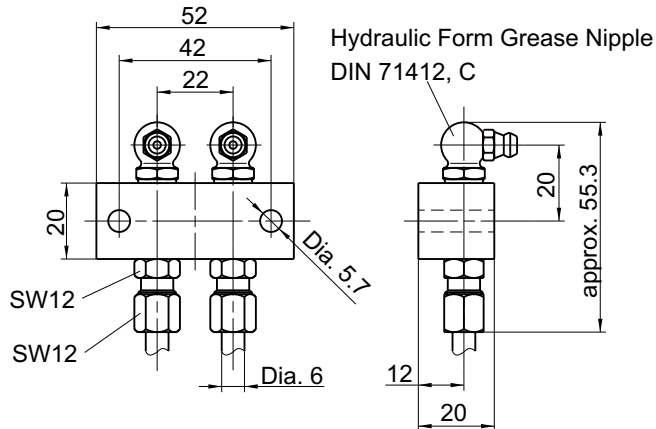


Part-No.	Material
21590020014	Steel zinc coated yellow chromate



Nipple Block Two-Outlets

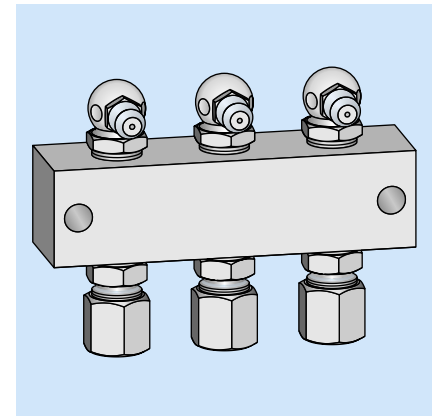
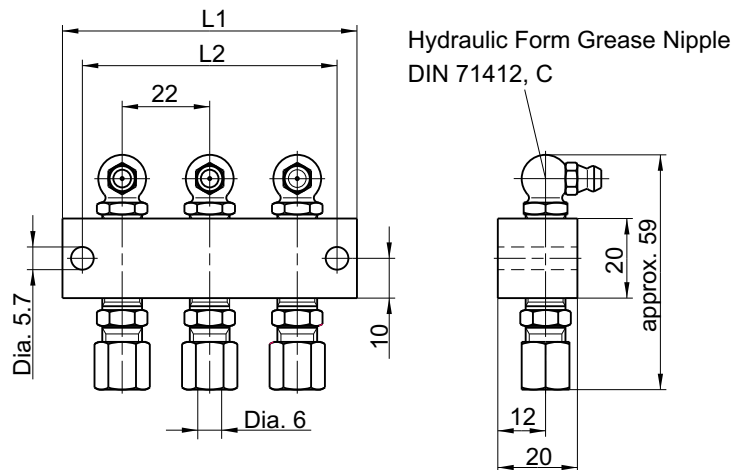
at AZ-1714



Part-No	Material
21590020024	Steel zinc coated yellow chromate

Nipple Block Three up to Eight-Outlets

Pic.: Nipple Block Three-Outlets

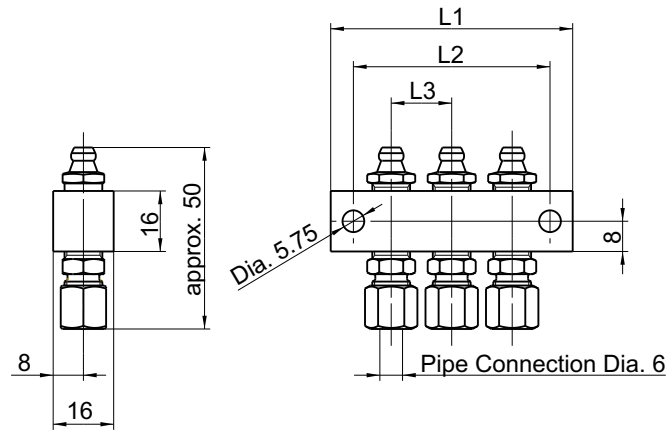
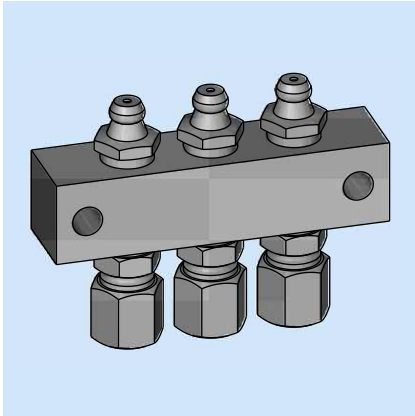


Part-No.	Number of connections	L1	L2	Material
2159 0020 025	3	74	64	Steel
2159 0020 026	4	96	86	Steel
2159 0020 027	5	118	108	Steel
2159 0020 028	6	140	130	Steel
2159 0020 029	8	184	174	Steel

All Parts made of steel are zinc coated and yellow chromated.

Nipple Block one- up to eight-outlets

at FAZ1714-05

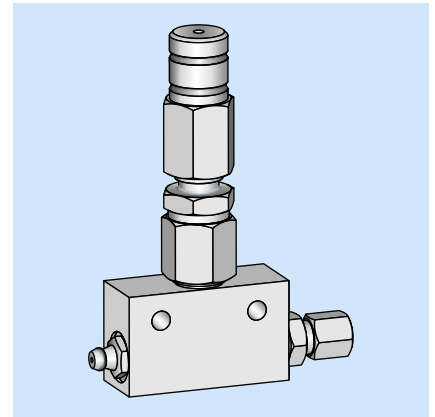
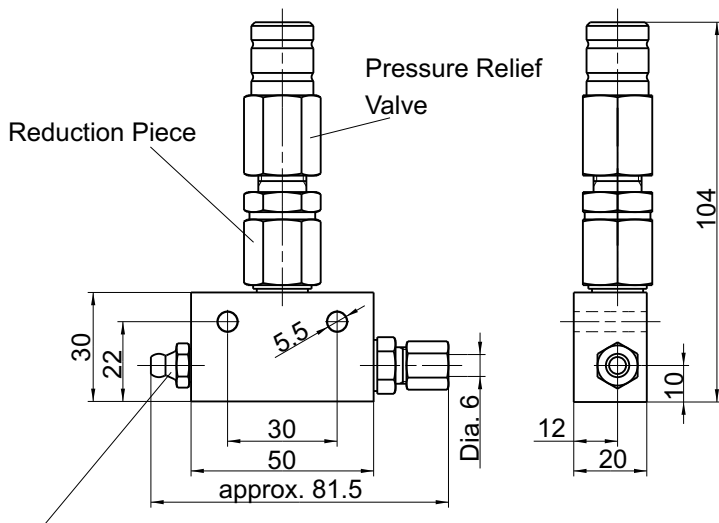


Part-No.	Number of connections	L1	L2	L3	Material
2159 0020 065	1	32	20	20	Steel
2159 0020 066	2	52	40	16	Steel
2159 0020 067	3	64	52	16	Steel
2159 0020 068	4	80	68	16	Steel
2159 0020 069	5	96	84	16	Steel
2159 0020 070	6	112	100	16	Steel
2159 0020 071	7	128	116	16	Steel
2159 0020 072	8	144	132	16	Steel

All Parts made of steel are zinc coated and yellow chromated.

Nipple Block One-Outlet

with High Pressure Valve at FAZ02251-01

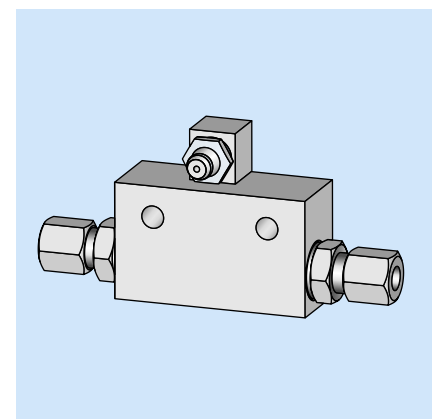
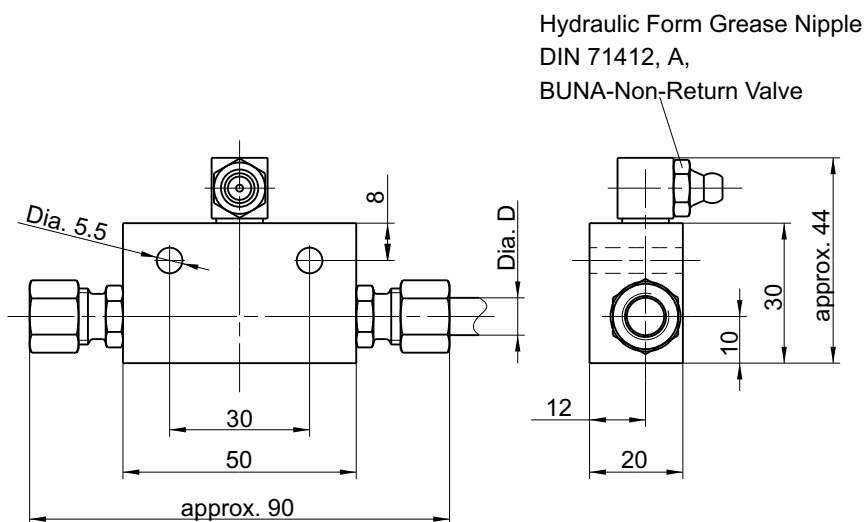


Hydraulic Form Grease Nipple
DIN 71412, A,
BUNA-Non-Return Valve

Part-No.	Material
2152 99063 2001	Steel zinc coated yellow chromate

Straight-Way Nipple Block One-Outlet

Connection Dia. 6 and Dia. 8



Hydraulic Form Grease Nipple
DIN 71412, A,
BUNA-Non-Return Valve

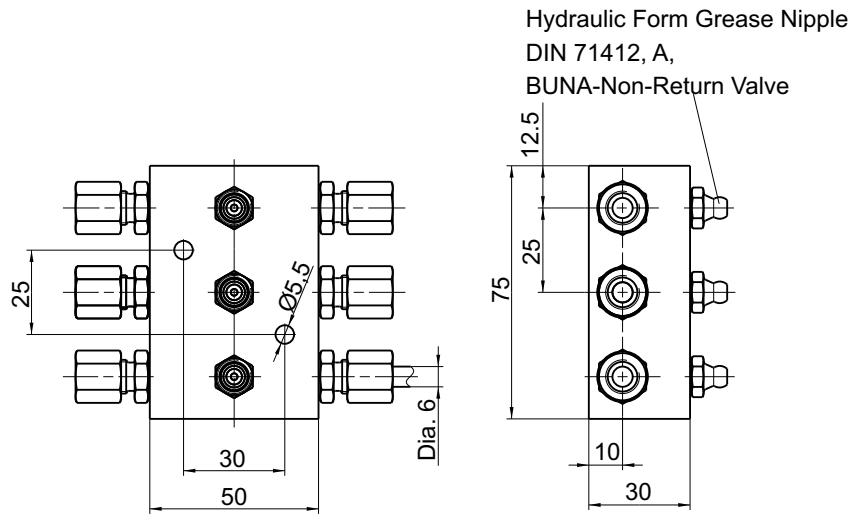
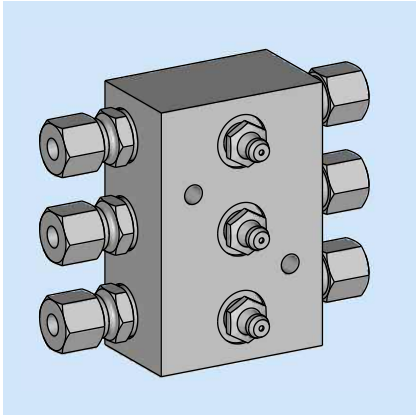
Part-No.	Dia. D	Material
2159 0030 014	6	Steel
2159 0030 017	8	Steel

All Parts made of steel are zinc coated and yellow chromated.



Straight-Way Nipple Block 3 Outlets

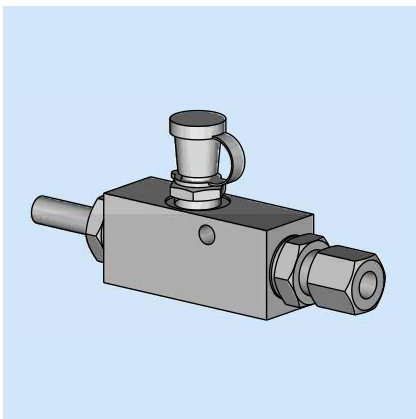
at AZ-1760-02



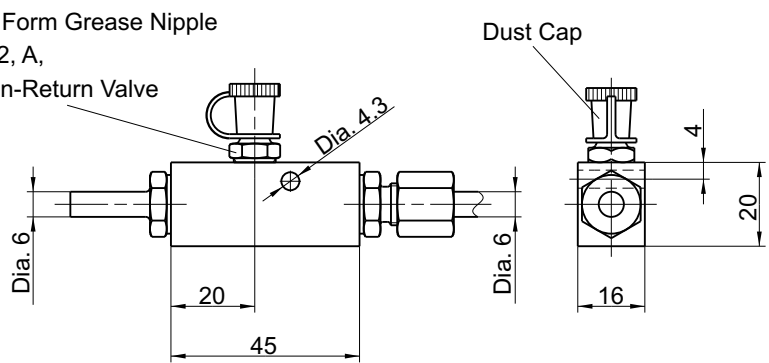
Part-No.	Material
21590030016	Steel zinc coated yellow chromate

Straight-Way Nipple Block

at AZ-1760-04

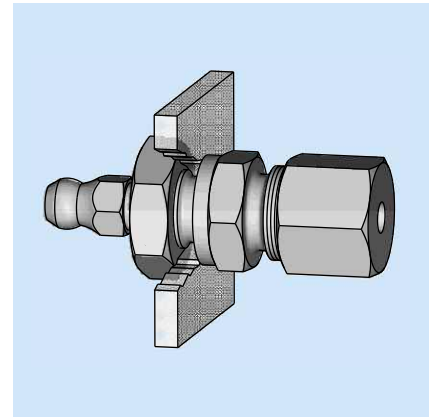
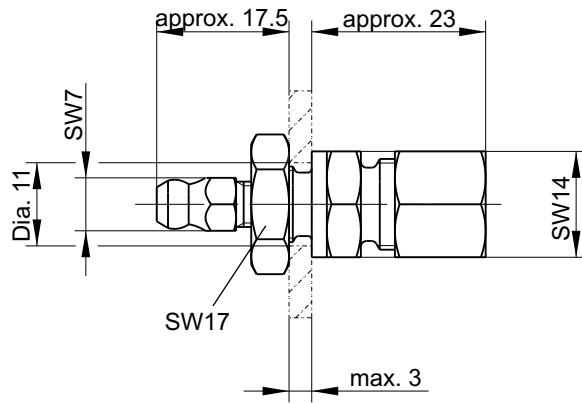


Hydraulic Form Grease Nipple
DIN 71412, A,
BUNA-Non-Return Valve



Part-No.	Material
21590030020	Steel zinc coated yellow chromate

Bulkhead coupling with Hydraulic Form Grease Nipple



Part-No.	Material
FAZ03552-00	Steel zinc coated yellow chromate

